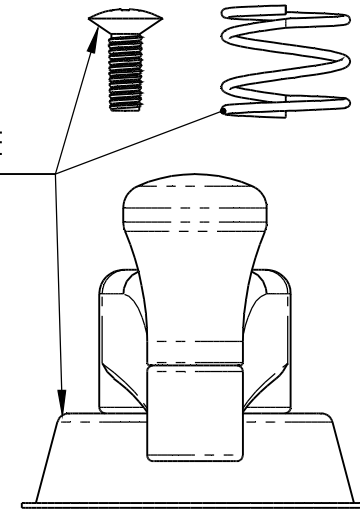


MTG HARDWARE
AND ROSETTE ARE
SUPPLIED LOOSE



NOTES:

1. MATERIAL: ZINC DIE CAST HANDLE AND KNOB, STEEL HARDWARE
2. FINISH: CHROME PLATED HANDLE, KNOB, AND ROSETTE, ZINC PLATED HARDWARE
3. DIMENSIONS ARE FOR REFERENCE ONLY



DESCRIPTION: KIT, 88-5 HANDLE (CHROME KNOB)	Weight .41 LBS
Part Number: S88-5HKTCRCK	REV -

PROPRIETARY NOTICE: THIS DRAWING IS EXCLUSIVELY THE PROPERTY OF HANSEN INTERNATIONAL INC. AND SHALL NOT BE COPIED OR PASSED ON TO A THIRD PARTY WITHOUT OUR PRIOR WRITTEN APPROVAL. WE WILL RETAIN ALL RIGHTS FOR PATENT ISSUE OR REGISTRATION OF DESIGN.
©2018 Hansen International, Inc.