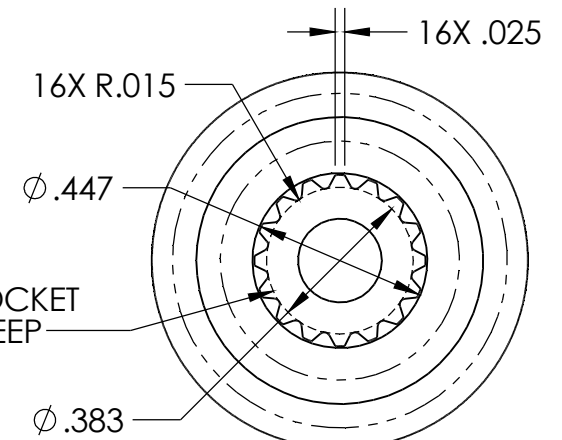
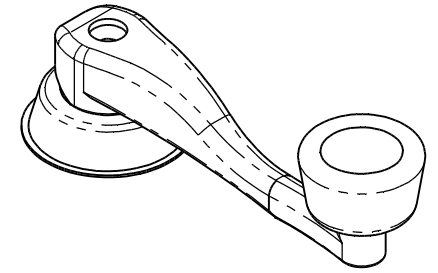
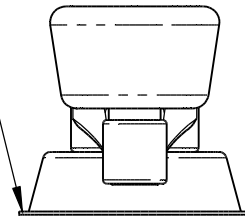
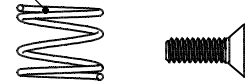


MTG HARDWARE
AND ROSETTE ARE
SUPPLIED LOOSE



SPLINED SOCKET
IS 15/32" DEEP

DETAIL A
SCALE 2 : 1

NOTES:

1. MATERIAL: ZINC DIE CAST HANDLE WITH VINYL KNOB, STEEL HARDWARE
2. FINISH: BLACK PAINTED HANDLE AND ROSETTE, ZINC PLATED PARTS
3. DIMENSIONS ARE FOR REFERENCE ONLY



DESCRIPTION:	KIT, REGULATOR HANDLE	Weight	.41 LBS
Part Number:	RGHNKT	REV	-

PROPRIETARY NOTICE: THIS DRAWING IS EXCLUSIVELY THE PROPERTY OF HANSEN INTERNATIONAL INC. AND SHALL NOT BE COPIED OR PASSED ON TO A THIRD PARTY WITHOUT OUR PRIOR WRITTEN APPROVAL. WE WILL RETAIN ALL RIGHTS FOR PATENT ISSUE OR REGISTRATION OF DESIGN.
©2018 Hansen International, Inc.