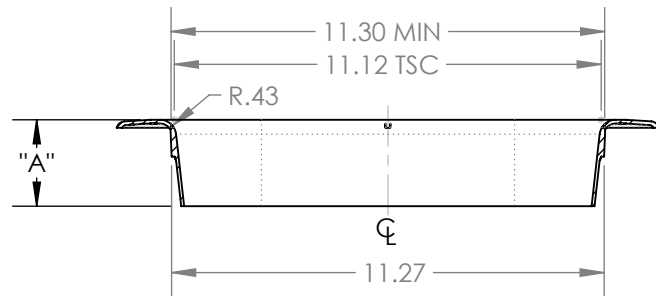
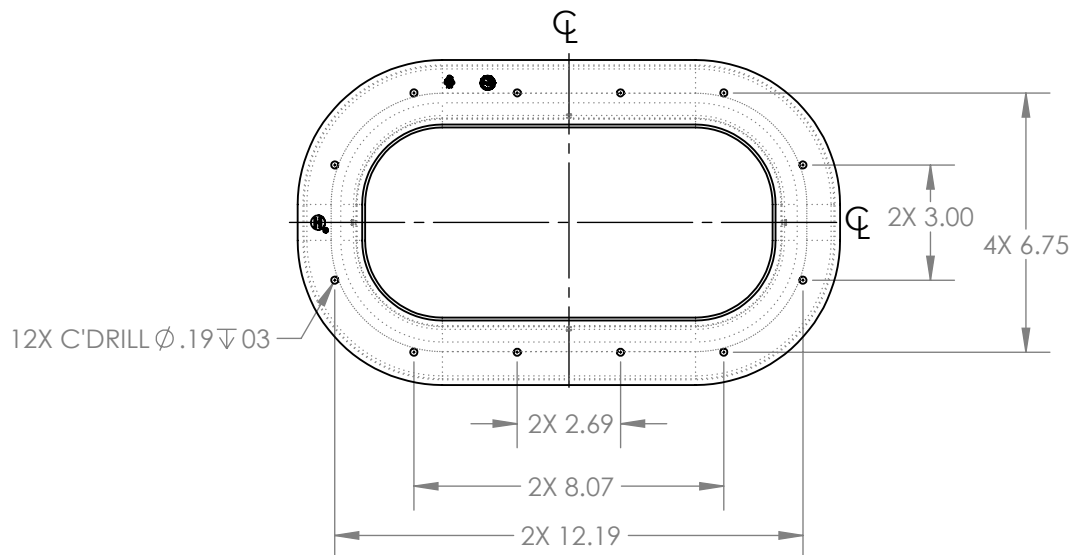


SECTION C-C



SECTION A-A



PART NUMBER TABULATION CHART			
PART NUMBER	DESCRIPTION	DIMENSION "A"	COLOR
V28000-SB	BEZEL, VENT TRIM - SHORT, BLACK	1.13	BLACK
V28000-LB	BEZEL, VENT TRIM - LONG, BLACK	2.25	BLACK
V28000-SW	BEZEL, VENT TRIM - SHORT, WHITE	1.13	WHITE
V28000-LW	BEZEL, VENT TRIM - LONG, WHITE	2.25	WHITE

NOTES:

1. ALL ANGLES/BENDS ARE 90° UNLESS NOTED.
2. DIMENSIONS ARE FOR REFERENCE ONLY.
3. EXCEPT FOR PART MARKINGS, PART IS SYMMETRICAL ABOUT ϕ .
4. TSC= THEORETICAL SHARP CORNER
5. FOR FULL PART CONTOUR DEFINITION REFER TO HANSEN ELECTRONIC CAD MODEL FILE.



DESCRIPTION: BEZEL, TRIM RING-2 WAY VENTS	Weight NA
Part Number: V28000-XX	REV 1

PROPRIETARY NOTICE: THIS DRAWING IS EXCLUSIVELY THE PROPERTY OF HANSEN INTERNATIONAL INC. AND SHALL NOT BE COPIED OR PASSED ON TO A THIRD PARTY WITHOUT OUR PRIOR WRITTEN APPROVAL. WE WILL RETAIN ALL RIGHTS FOR PATENT ISSUE OR REGISTRATION OF DESIGN.
©2020 Hansen International, Inc.