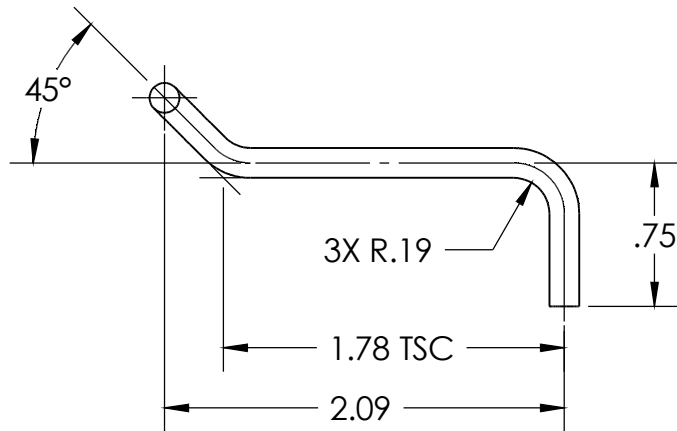
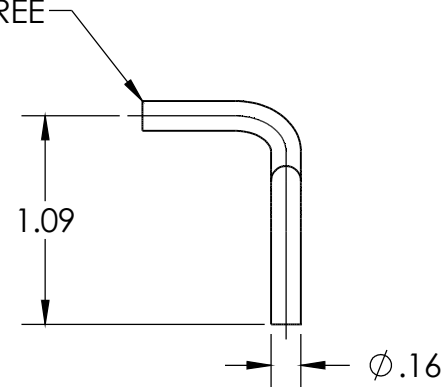


ISOMETRIC VIEW



2X SHEARED ENDS
SHALL BE BURR FREE



NOTES:

1. MATERIAL: SAE 1008 STEEL
2. FINISH: GALVANIZED
3. ALL ANGLES/BENDS ARE 90° UNLESS NOTED.
4. DIMENSIONS ARE FOR REFERENCE ONLY.
5. (TSC) = THEORETICAL SHARP CORNER.



DESCRIPTION: ROD, RH OUTSIDE HANDLE LINKAGE		Weight .02 LBS
Part Number: PLR026		REV -

PROPRIETARY NOTICE: THIS DRAWING IS EXCLUSIVELY THE PROPERTY OF HANSEN INTERNATIONAL INC. AND SHALL NOT BE COPIED OR PASSED ON TO A THIRD PARTY WITHOUT OUR PRIOR WRITTEN APPROVAL. WE WILL RETAIN ALL RIGHTS FOR PATENT ISSUE OR REGISTRATION OF DESIGN.
©2018 Hansen International, Inc.