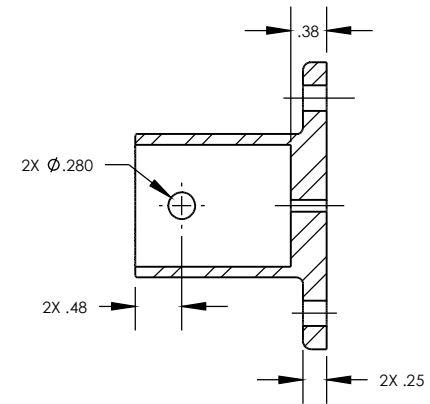
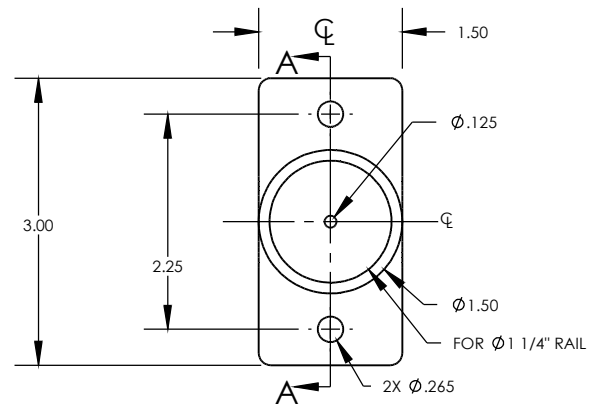
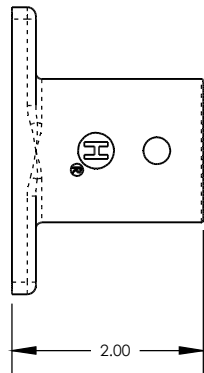


ISOMETRIC VIEW



SECTION A-A

NOTES:

1. DIMENSIONS ARE FOR REFERENCE ONLY
2. MATERIAL: INVESTMENT CAST 304 STAINLESS STEEL
3. FINISH: PASSIVATE, POLISH AND BUFF.



DESCRIPTION: STANCHION, TEE-#4100		Weight .59 LBS
Part Number: PB-283042		REV -
<small>PROPRIETARY NOTICE: THIS DRAWING IS EXCLUSIVELY THE PROPERTY OF HANSEN INTERNATIONAL INC. AND SHALL NOT BE COPIED OR PASSED ON TO A THIRD PARTY WITHOUT OUR PRIOR WRITTEN APPROVAL. WE WILL RETAIN ALL RIGHTS FOR PATENT ISSUE OR REGISTRATION OF DESIGN.</small> ©2018 Hansen International, Inc.		