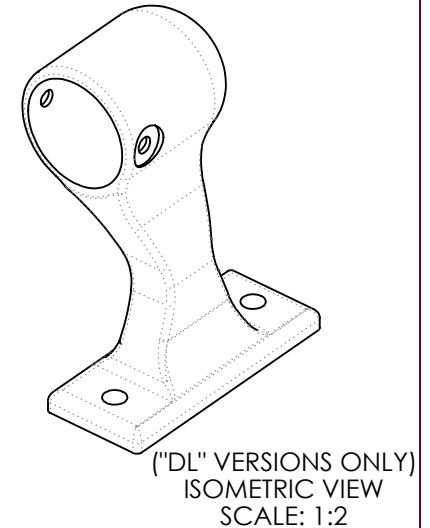
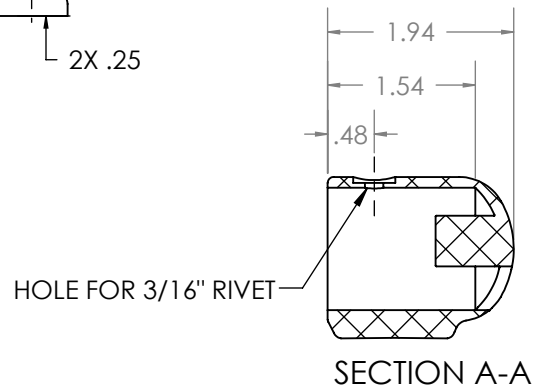
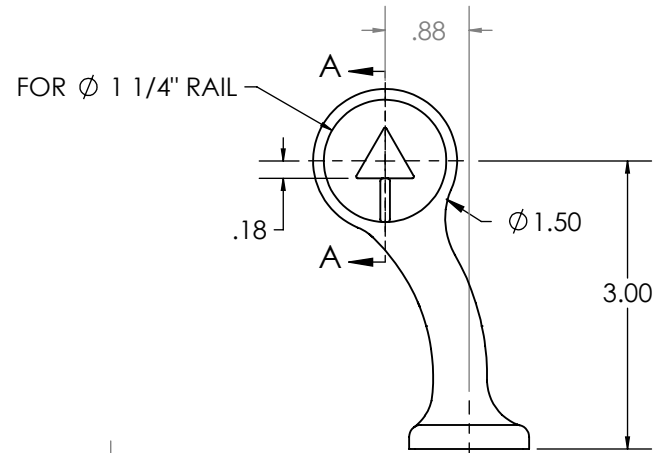
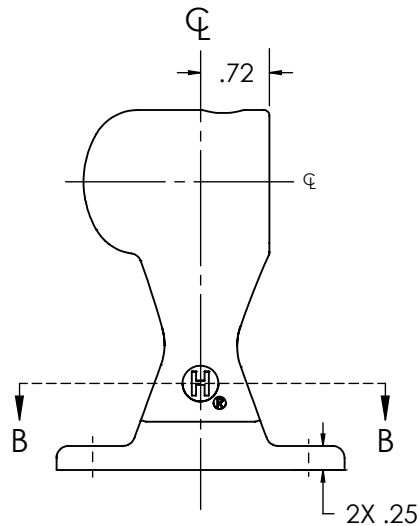
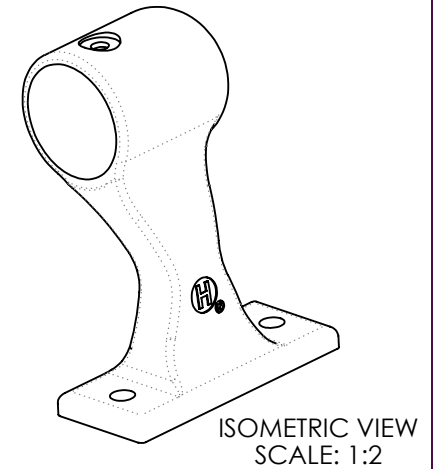


OPTIONS		
PART NUMBER	FINISH	RIVET HOLES
CR-383046	SC3 CHROME	YES (1X)
CR-383046NH	SC3 CHROME	NO
CR-383046L	SC3 CHROME	YES (1X)
CR-383046-DL	SC3 CHROME	YES (2X)



NOTES:

1. DIMENSIONS ARE FOR REFERENCE ONLY
2. MATERIAL: ZAMAK #3
3. FINISH: SEE TABLE



DESCRIPTION: STANCHION, OFFSET END LH-#4100	Weight .81 LBS
Part Number: CR-383046	REV 1

PROPRIETARY NOTICE: THIS DRAWING IS EXCLUSIVELY THE PROPERTY OF HANSEN INTERNATIONAL INC. AND SHALL NOT BE COPIED OR PASSED ON TO A THIRD PARTY WITHOUT OUR PRIOR WRITTEN APPROVAL. WE WILL RETAIN ALL RIGHTS FOR PATENT ISSUE OR REGISTRATION OF DESIGN.
©2020 Hansen International, Inc.