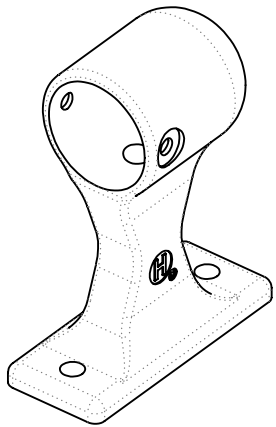
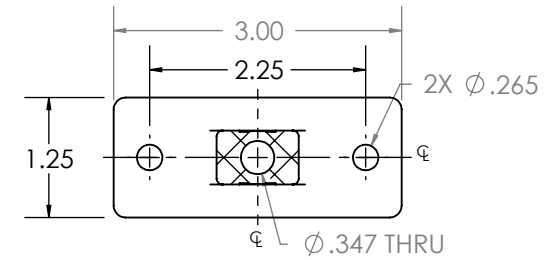


ISOMETRIC VIEW
SCALE: 1:2

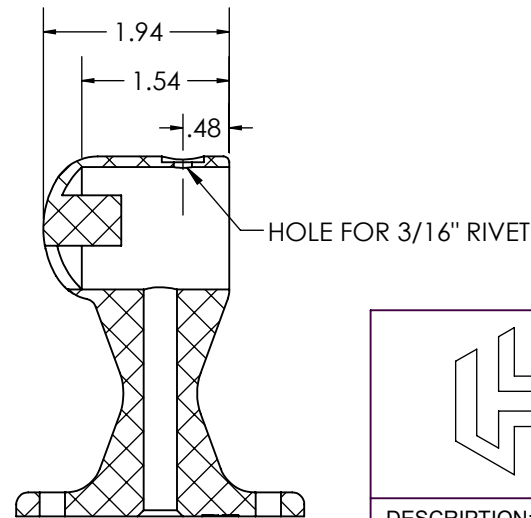
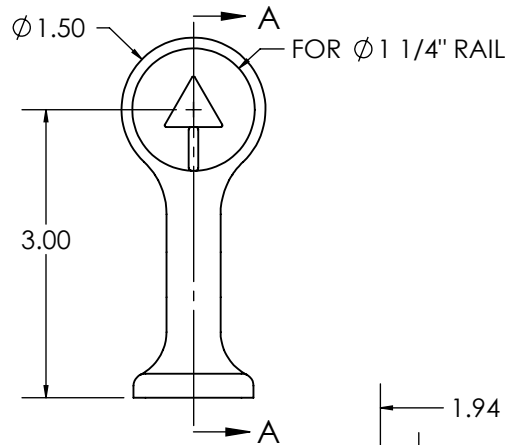


("DL" VERSIONS ONLY)
ISOMETRIC VIEW
SCALE: 1:2

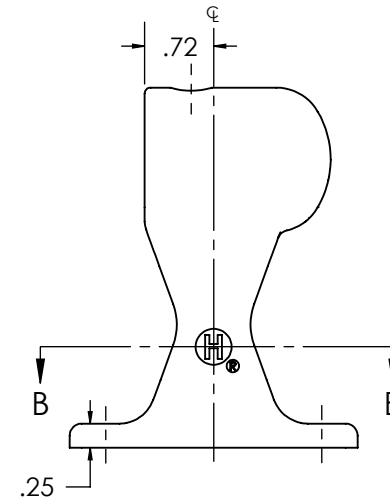
OPTIONS		
PART NUMBER	FINISH	RIVET HOLES
CR-383036	SC3 CHROME	YES (1X)
CR-383036NH	SC3 CHROME	NO
CR-383036-DL	SC3 CHROME	YES (2X)



SECTION B-B



SECTION A-A



NOTES:

1. DIMENSIONS ARE FOR REFERENCE ONLY
2. MATERIAL: ZAMAK #3
3. FINISH: SEE TABLE



DESCRIPTION: STANCHION, END #4100	Weight .74 LBS
Part Number: CR-383036	REV 1

PROPRIETARY NOTICE: THIS DRAWING IS EXCLUSIVELY THE PROPERTY OF HANSEN INTERNATIONAL INC. AND SHALL NOT BE COPIED OR PASSED ON TO A THIRD PARTY WITHOUT OUR PRIOR WRITTEN APPROVAL. WE WILL RETAIN ALL RIGHTS FOR PATENT ISSUE OR REGISTRATION OF DESIGN.
©2020 Hansen International, Inc.