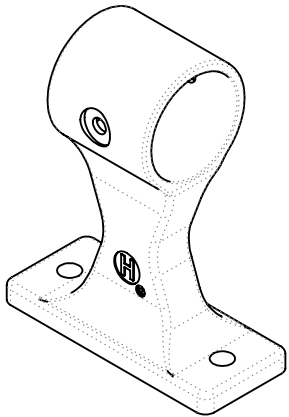
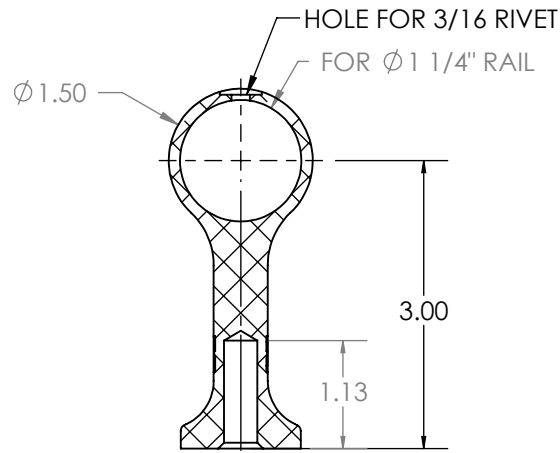


ISOMETRIC VIEW  
SCALE: 1:2

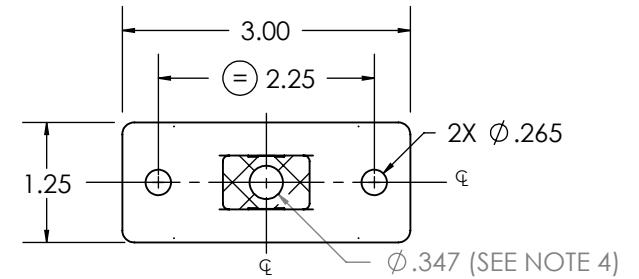


("DL" VERSIONS ONLY)  
ISOMETRIC VIEW  
SCALE: 1:2

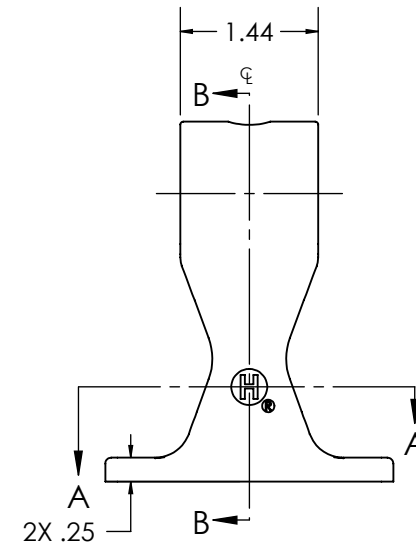
OPTIONS		
PART NUMBER	FINISH	RIVET HOLES
CR-283021	SC3 CHROME	YES (1X)
CR-283021NH	SC3 CHROME	NO
CR-283021-DL	SC3 CHROME	YES (2X)



SECTION B-B



SECTION A-A



NOTES:

1. DIMENSIONS ARE FOR REFERENCE ONLY
2. MATERIAL: ZAMAK #3
3. FINISH: SEE TABLE
4.  $\varnothing$ .347 HOLE IS AN OPTIONAL FEATURE.



DESCRIPTION: STANCHION, CENTER-#4100	Weight .69 LBS
Part Number: CR-283021	REV 1

PROPRIETARY NOTICE: THIS DRAWING IS EXCLUSIVELY THE PROPERTY OF HANSEN INTERNATIONAL INC. AND SHALL NOT BE COPIED OR PASSED ON TO A THIRD PARTY WITHOUT OUR PRIOR WRITTEN APPROVAL. WE WILL RETAIN ALL RIGHTS FOR PATENT ISSUE OR REGISTRATION OF DESIGN.  
©2020 Hansen International, Inc.