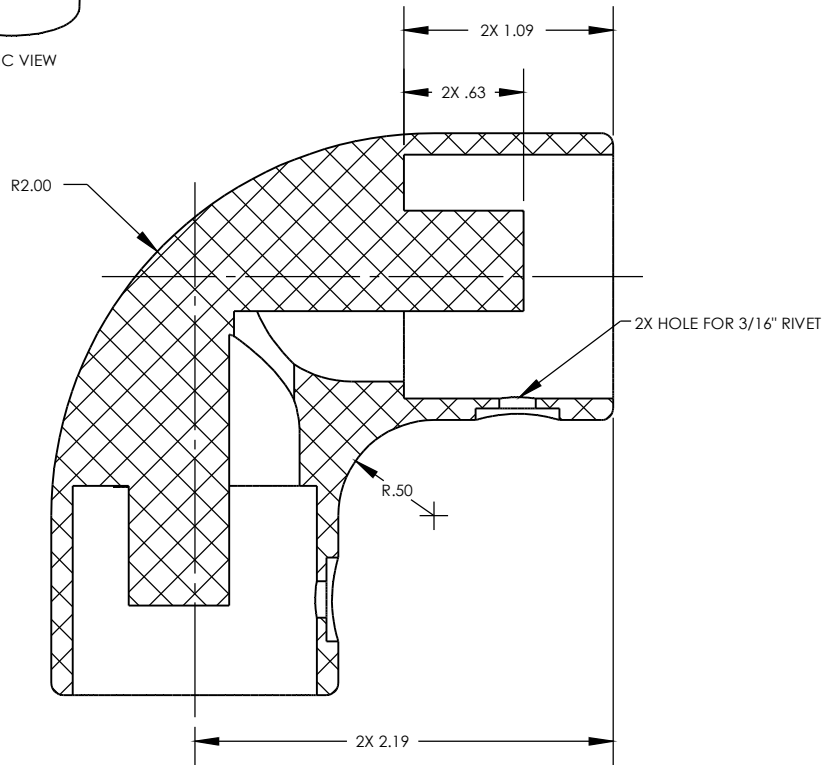
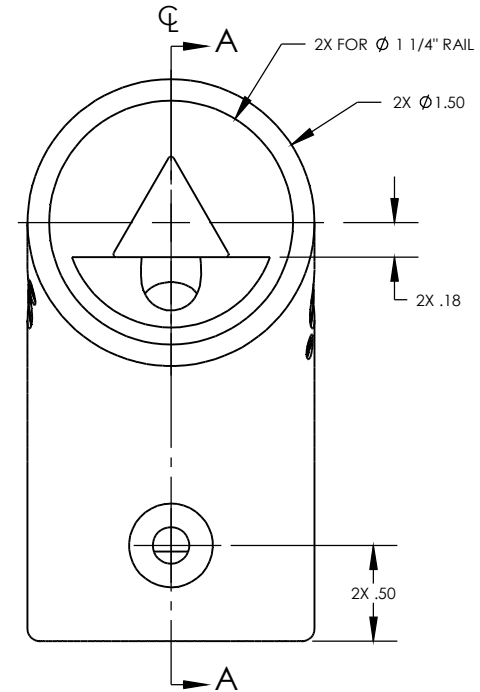


ISOMETRIC VIEW



SECTION A-A

OPTIONS		
PART NUMBER	FINISH	RIVET HOLES
CR-383053	SC3 CHROME	YES (1X)
CR-383053NH	SC3 CHROME	NO
CR-383053L	SC3 CHROME	YES (1X)
383053-BK	BLACK POWDER COAT	YES (1X)



NOTES:

1. DIMENSIONS ARE FOR REFERENCE ONLY
2. MATERIAL: ZAMAK #3
3. FINISH: SEE TABLE



DESCRIPTION: STANCHION, ELBOW-#4100	Weight .92 LBS
Part Number: CR-383053	REV -

PROPRIETARY NOTICE: THIS DRAWING IS EXCLUSIVELY THE PROPERTY OF HANSEN INTERNATIONAL INC. AND SHALL NOT BE COPIED OR PASSED ON TO A THIRD PARTY WITHOUT OUR PRIOR WRITTEN APPROVAL. WE WILL RETAIN ALL RIGHTS FOR PATENT ISSUE OR REGISTRATION OF DESIGN.
©2018 Hansen International, Inc.