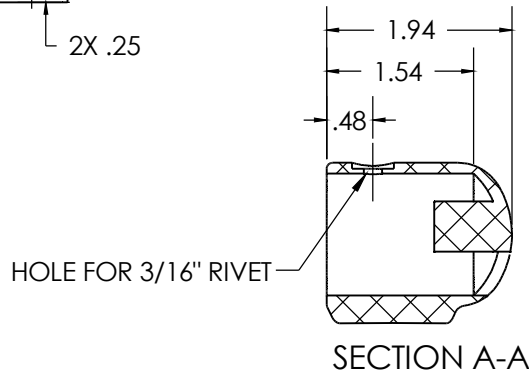
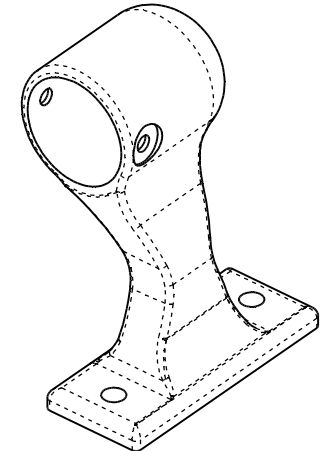
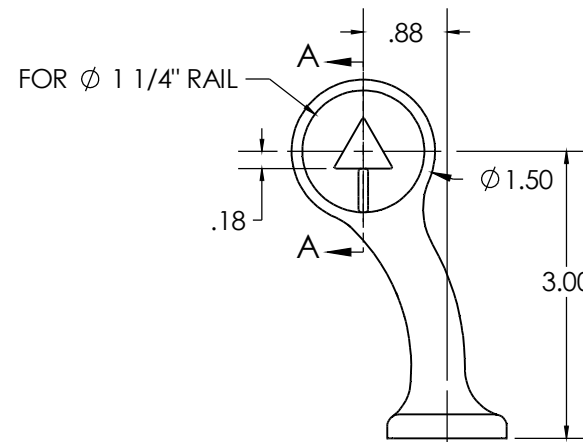
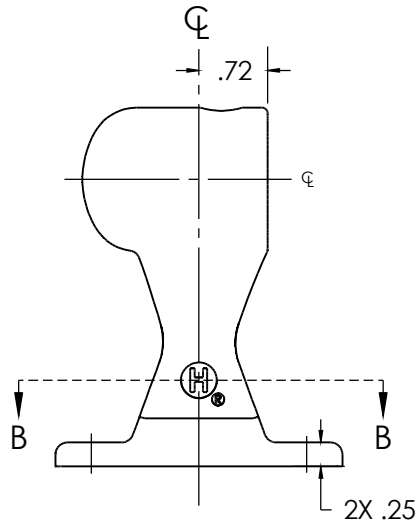
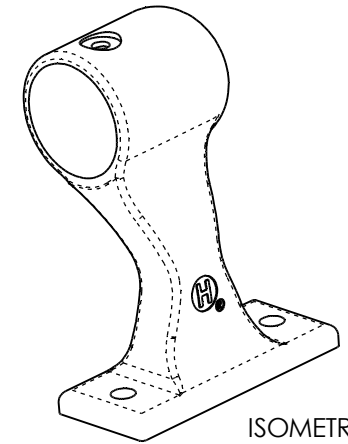


OPTIONS		
PART NUMBER	FINISH	RIVET HOLES
383046-BK	BLACK POWDER COAT	YES (1X)
383046-DLBK	BLACK POWDER COAT	YES (2X)



NOTES:

1. DIMENSIONS ARE FOR REFERENCE ONLY
2. MATERIAL: ZAMAK #3
3. FINISH: SEE TABLE



DESCRIPTION: STANCHION, OFFSET END LH-#4100-BLACK		Weight .81 LBS
Part Number: 383046-BK		REV -
<small>PROPRIETARY NOTICE: THIS DRAWING IS EXCLUSIVELY THE PROPERTY OF HANSEN INTERNATIONAL INC. AND SHALL NOT BE COPIED OR PASSED ON TO A THIRD PARTY WITHOUT OUR PRIOR WRITTEN APPROVAL. WE WILL RETAIN ALL RIGHTS FOR PATENT ISSUE OR REGISTRATION OF DESIGN.</small> ©2018 Hansen International, Inc.		