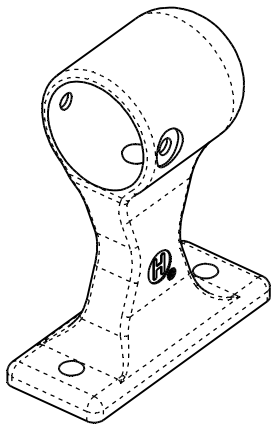
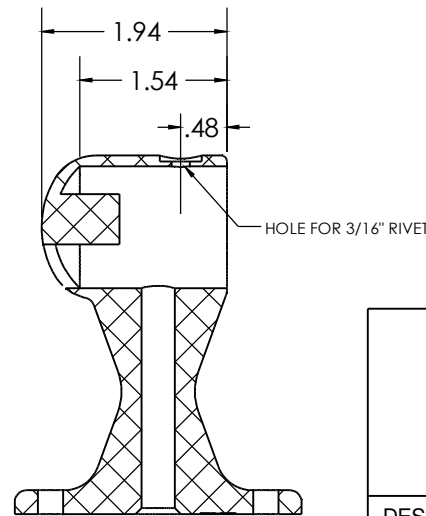
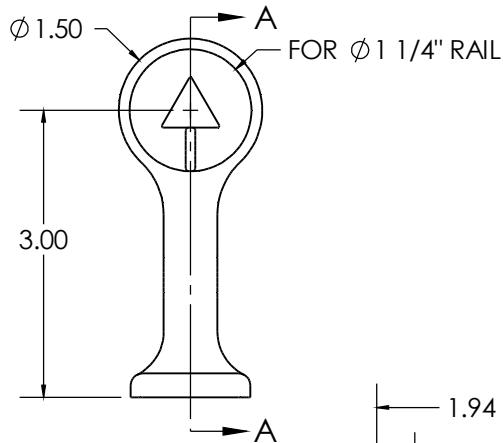


ISOMETRIC VIEW
SCALE: 1:2

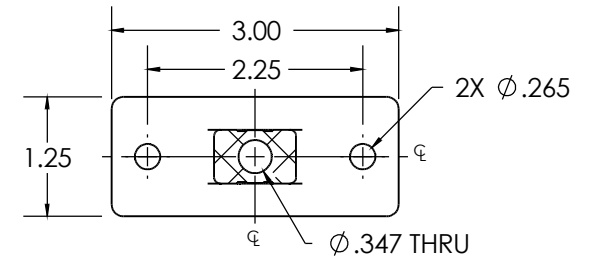


("DL" VERSIONS ONLY)
ISOMETRIC VIEW
SCALE: 1:2

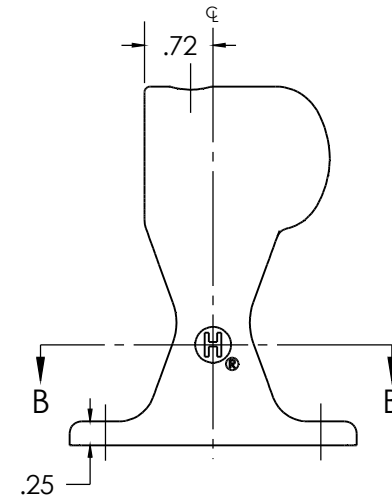
OPTIONS		
PART NUMBER	FINISH	RIVET HOLES
383036-BK	BLACK POWDER COAT	YES (1X)
383036-DLBK	BLACK POWDER COAT	YES (2X)



SECTION A-A



SECTION B-B



NOTES:

1. DIMENSIONS ARE FOR REFERENCE ONLY
2. MATERIAL: ZAMAK #3
3. FINISH: SEE TABLE



DESCRIPTION: STANCHION, END #4100-BLACK	Weight .74 LBS
Part Number: 383036-BK	REV -
<small>PROPRIETARY NOTICE: THIS DRAWING IS EXCLUSIVELY THE PROPERTY OF HANSEN INTERNATIONAL INC. AND SHALL NOT BE COPIED OR PASSED ON TO A THIRD PARTY WITHOUT OUR PRIOR WRITTEN APPROVAL. WE WILL RETAIN ALL RIGHTS FOR PATENT ISSUE OR REGISTRATION OF DESIGN. ©2019 Hansen International, Inc.</small>	