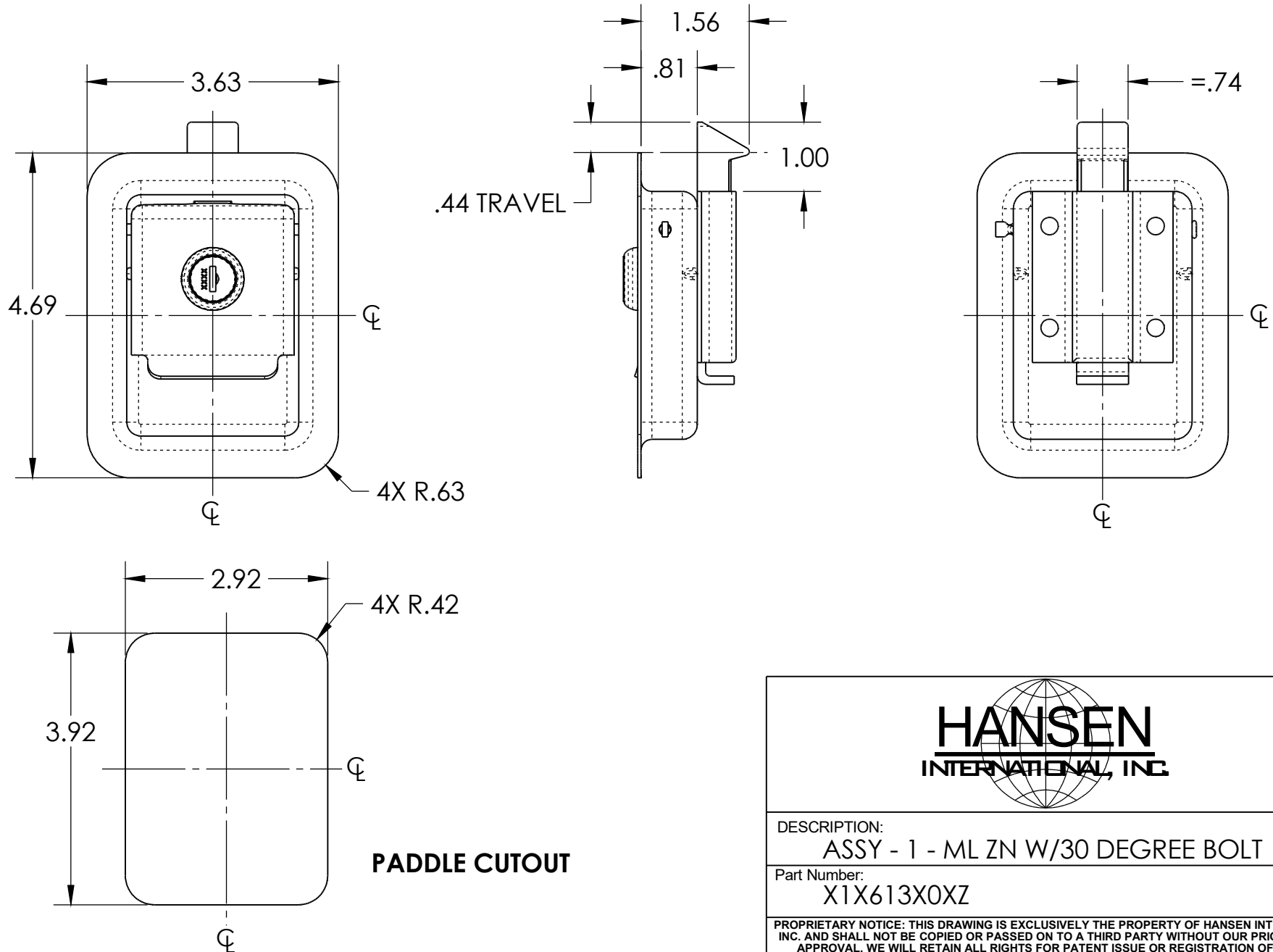


NOTES:

1. MATERIAL AND FINISH: CLEAR ZINC PLATED STEEL TRAY AND HANDLE. ALL OTHER COMPONENTS ARE STAINLESS STEEL OR ZINC PLATED STEEL.
2. = DENOTES DIMENSIONS THAT ARE EQUALLY SPACED ABOUT THE CENTERLINE ON THE PART.
3. DIMENSIONS ARE FOR REFERENCE ONLY.



DESCRIPTION: ASSY - 1 - ML ZN W/30 DEGREE BOLT	Weight
Part Number: X1X613X0XZ	1.06 LBS -

PROPRIETARY NOTICE: THIS DRAWING IS EXCLUSIVELY THE PROPERTY OF HANSEN INTERNATIONAL INC. AND SHALL NOT BE COPIED OR PASSED ON TO A THIRD PARTY WITHOUT OUR PRIOR WRITTEN APPROVAL. WE WILL RETAIN ALL RIGHTS FOR PATENT ISSUE OR REGISTRATION OF DESIGN.
©2018 Hansen International, Inc.