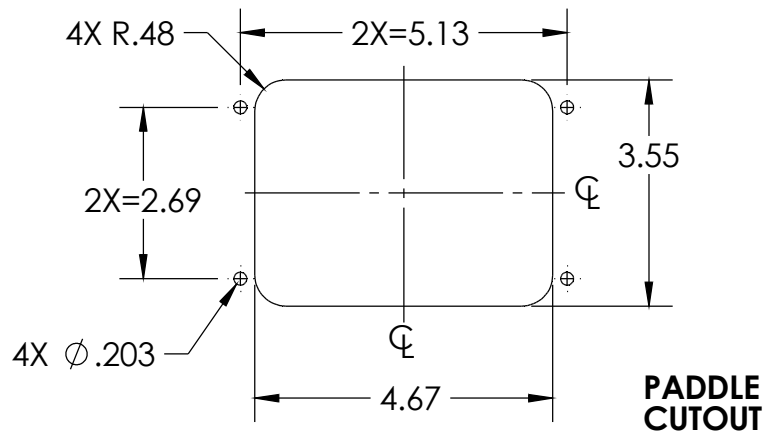
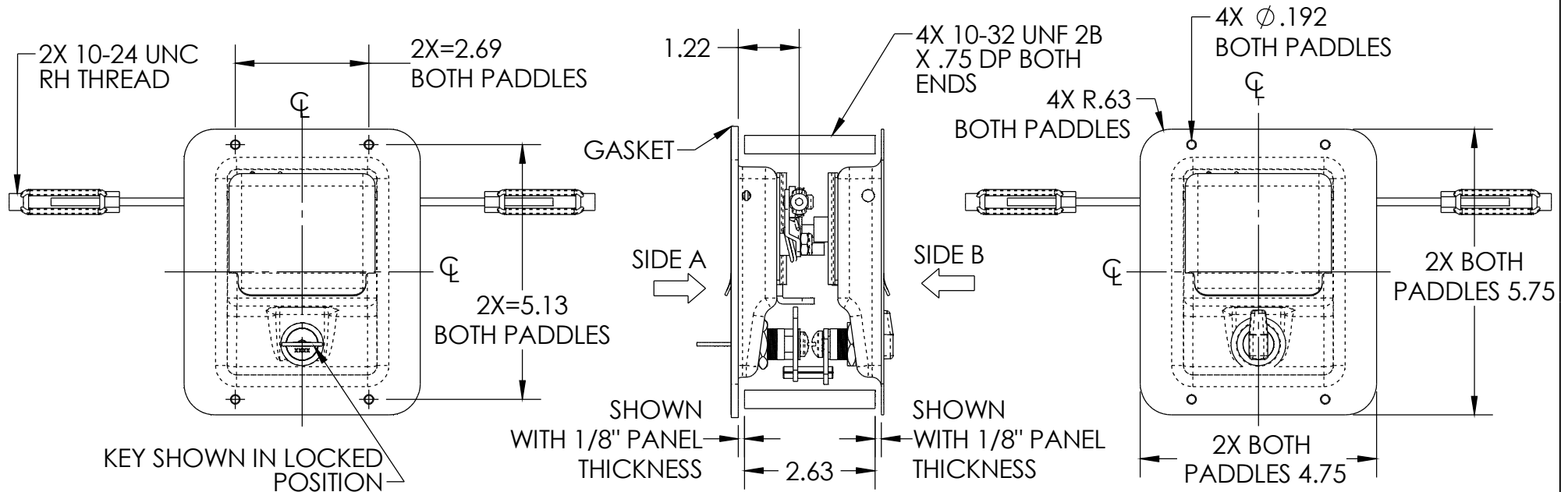


NOTES:

1. MATERIAL AND FINISH: POLISHED STAINLESS STEEL TRAYS AND HANDLES (SIDE A & B). ALL OTHER COMPONENTS ARE STAINLESS STEEL OR ZINC PLATED STEEL.
2. RECOMMENDED FASTENERS: (8) GRADE 5 OR BETTER 10-32 SCREWS NOT SUPPLIED.
3. DIMENSIONS ARE FOR REFERENCE ONLY.



DESCRIPTION: BACK TO BACK ESL KIT W/RODS	Weight 2.35 LBS
Part Number: BACKTOBACKKIT1	REV -

PROPRIETARY NOTICE: THIS DRAWING IS EXCLUSIVELY THE PROPERTY OF HANSEN INTERNATIONAL INC. AND SHALL NOT BE COPIED OR PASSED ON TO A THIRD PARTY WITHOUT OUR PRIOR WRITTEN APPROVAL. WE WILL RETAIN ALL RIGHTS FOR PATENT ISSUE OR REGISTRATION OF DESIGN.  
©2018 Hansen International, Inc.