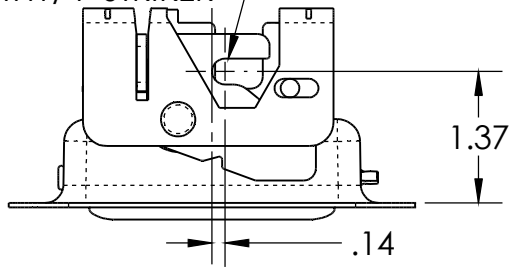
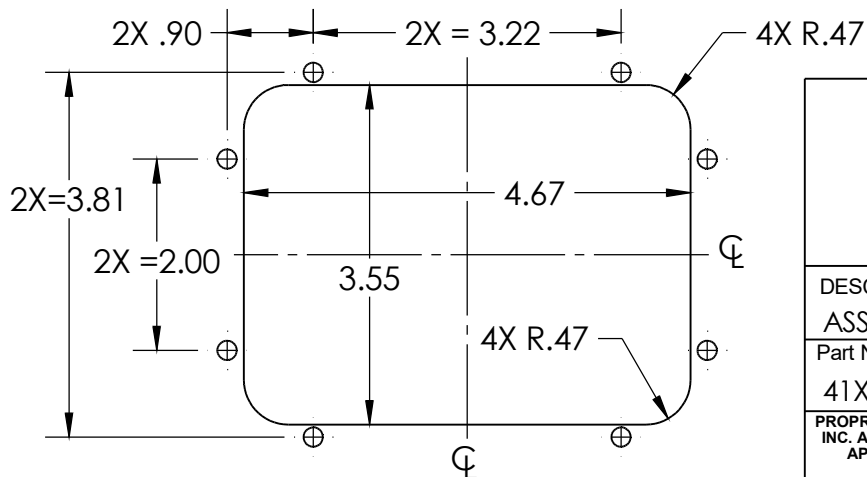
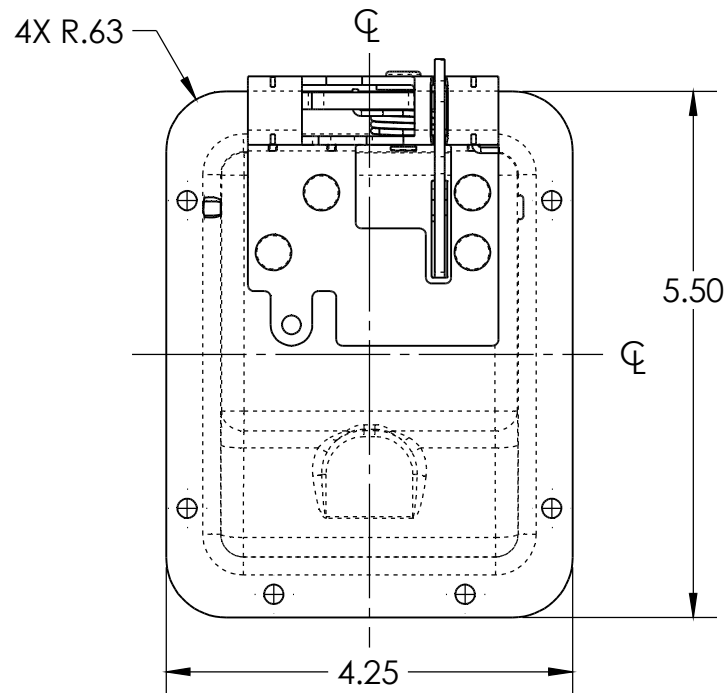
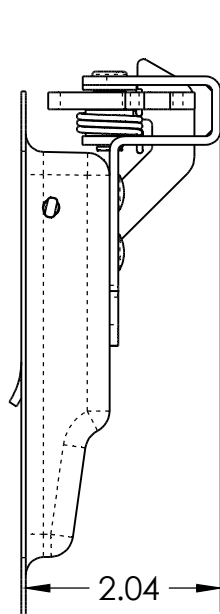
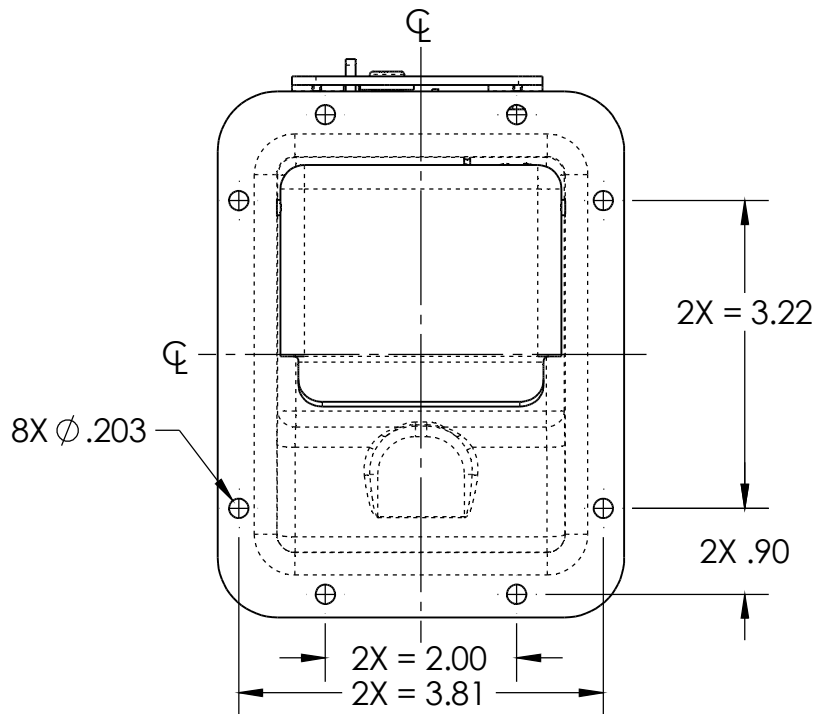


FOR USE WITH 1/4" STRIKER



NOTES:

1. MATERIAL AND FINISH: POLISHED STAINLESS STEEL TRAY AND HANDLE. ALL OTHER COMPONENTS ARE STAINLESS STEEL OR ZINC PLATED STEEL.
2. = DENOTES DIMENSIONS THAT ARE EQUALLY SPACED ABOUT THE CENTERLINE.
3. DIMENSIONS ARE FOR REFERENCE ONLY.



PADDLE CUTOUT



DESCRIPTION: ASSY - 1 ERL W/SEAL 1/4" STRIKER	Weight 1.13 LBS
Part Number: 41X8A2X5XN-W	REV -

PROPRIETARY NOTICE: THIS DRAWING IS EXCLUSIVELY THE PROPERTY OF HANSEN INTERNATIONAL INC. AND SHALL NOT BE COPIED OR PASSED ON TO A THIRD PARTY WITHOUT OUR PRIOR WRITTEN APPROVAL. WE WILL RETAIN ALL RIGHTS FOR PATENT ISSUE OR REGISTRATION OF DESIGN.  
©2018 Hansen International, Inc.