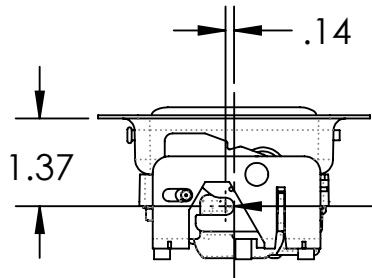


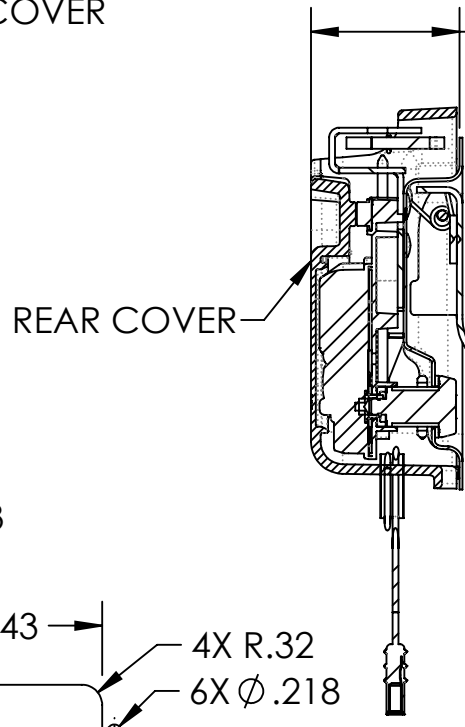
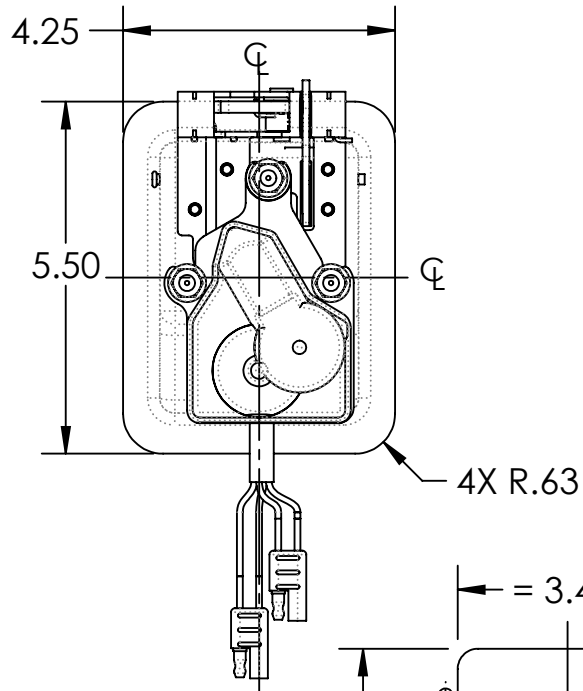
NOTES:

1. MATERIAL AND FINISH: POLISHED STAINLESS STEEL TRAY AND HANDLE. ALL OTHER COMPONENTS ARE STAINLESS STEEL OR ZINC PLATED STEEL.
2. 1/4-20 NYLOCK FLANGE NUTS ARE RECOMMENDED FOR INSTALLATION TORQUED TO 35-40 IN/LBS. NUTS NOT SUPPLIED.
3. = DENOTES DIMENSIONS THAT ARE EQUALLY SPACED ABOUT THE CENTERLINE.
4. DIMENSIONS ARE FOR REFERENCE ONLY.



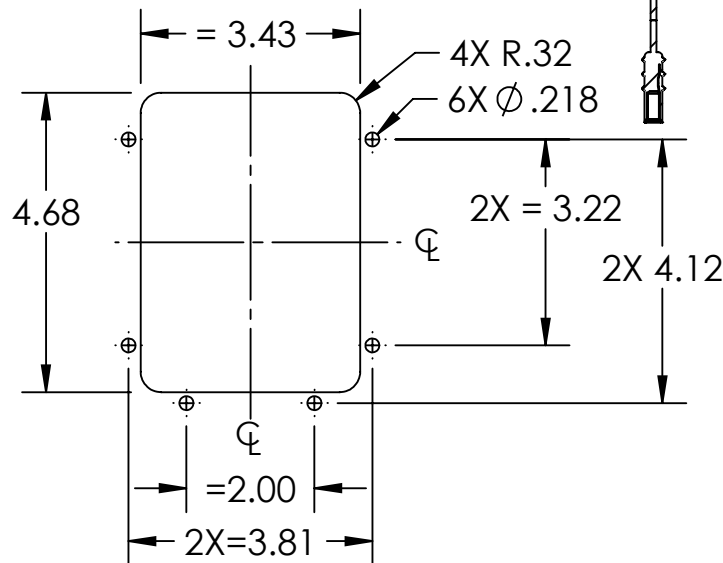
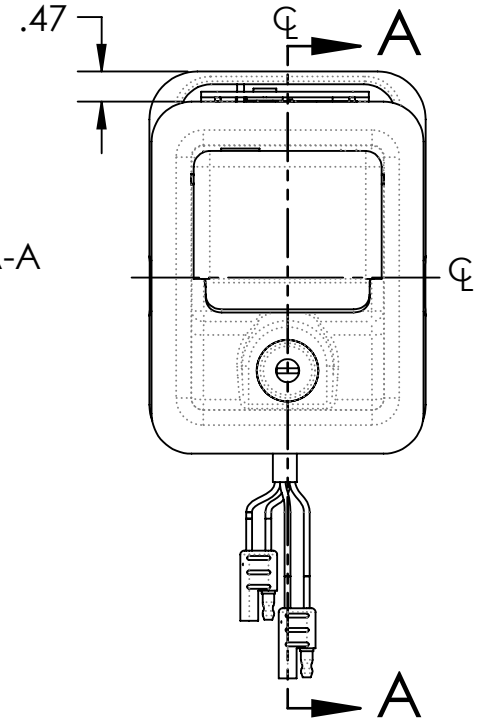
FOR USE WITH 1/4" STRIKER

THESE VIEWS SHOWN WITHOUT REAR COVER



2.32
DEPENDENT
ON PANEL
THICKNESS

SECTION A-A



**PADDLE
CUTOUT**



DESCRIPTION: ASSY, RIVETLESS ERL LATCH ELECTRIC LOCKING ACTUATOR	Weight 1.87 LBS
Part Number: 41X8A269XL-ELOC	REV 1

PROPRIETARY NOTICE: THIS DRAWING IS EXCLUSIVELY THE PROPERTY OF HANSEN INTERNATIONAL INC. AND SHALL NOT BE COPIED OR PASSED ON TO A THIRD PARTY WITHOUT OUR PRIOR WRITTEN APPROVAL. WE WILL RETAIN ALL RIGHTS FOR PATENT ISSUE OR REGISTRATION OF DESIGN.
©2020 Hansen International, Inc.