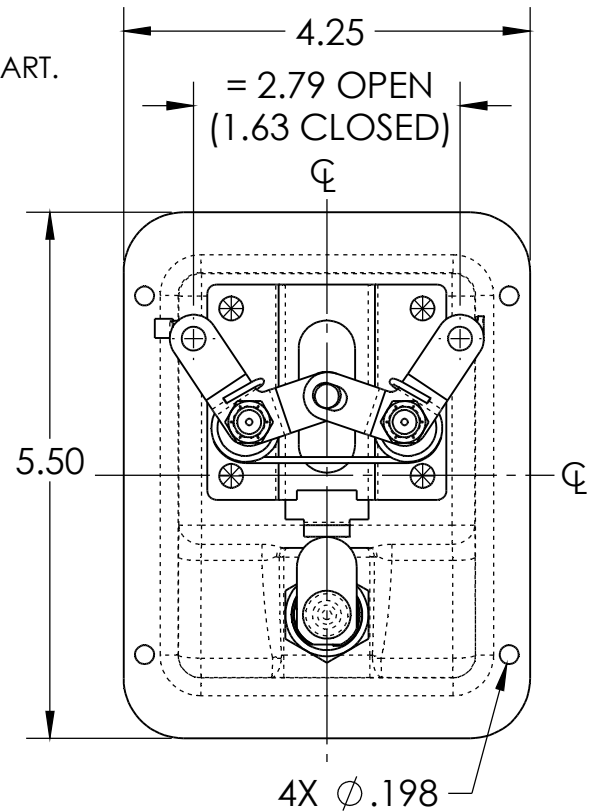
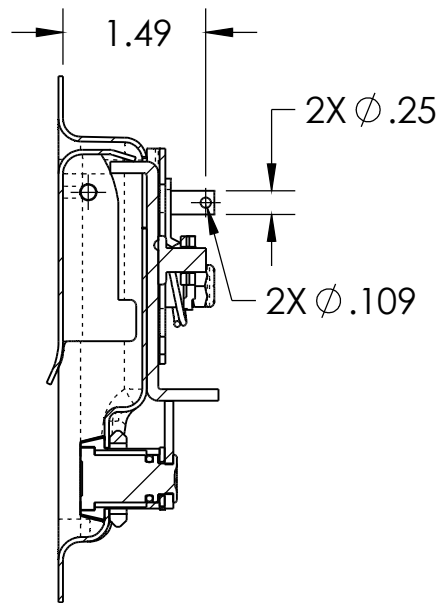
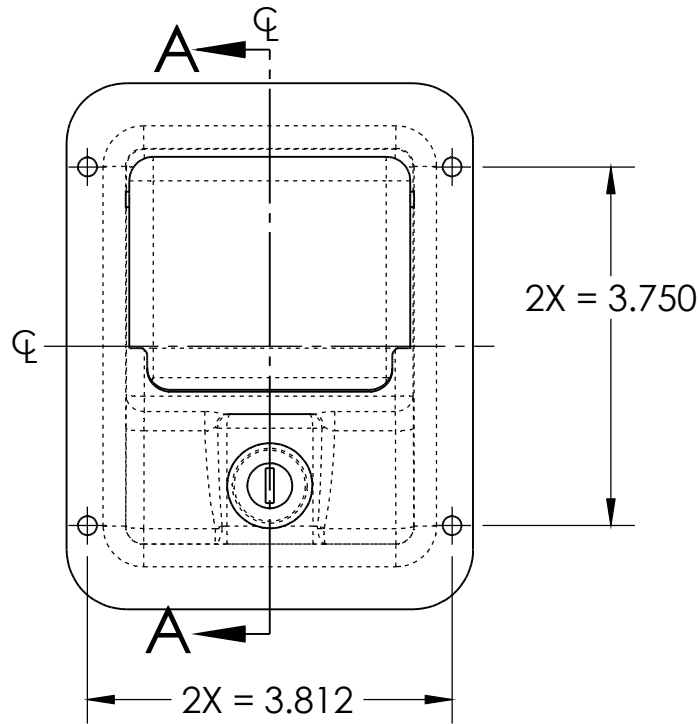
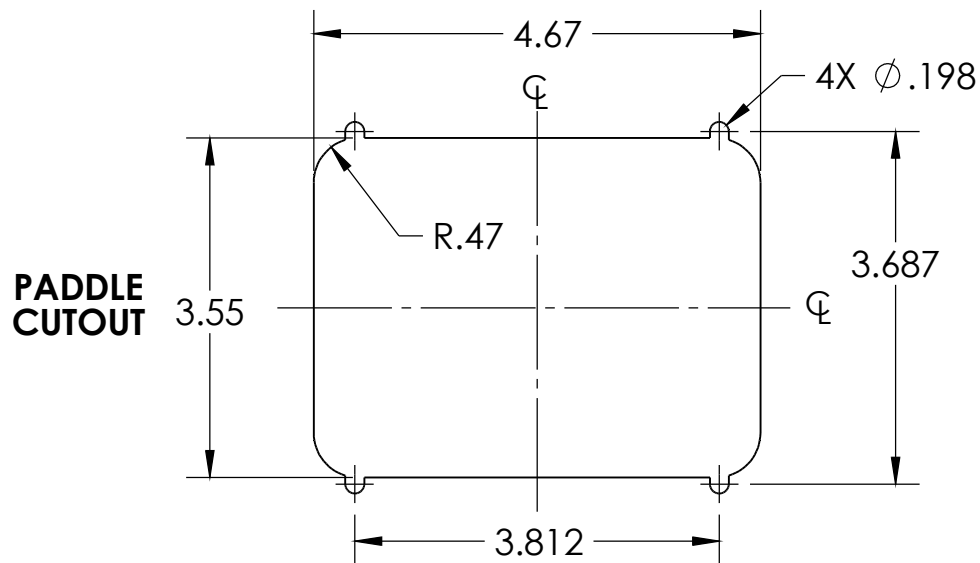


NOTES:

1. MATERIAL AND FINISH: POLISHED STAINLESS STEEL TRAY AND HANDLE. ALL OTHER COMPONENTS ARE STAINLESS STEEL OR ZINC PLATED STEEL.
2. = DENOTES DIMENSIONS THAT ARE EQUALLY SPACED ABOUT THE CENTERLINE OF THE PART.
3. DIMENSIONS ARE FOR REFERENCE ONLY.



SECTION A-A



DESCRIPTION:	ASSEMBLY 2-1-ESLR-SS	Weight	.52 LBS
Part Number:	11X83212XL	REV	-

PROPRIETARY NOTICE: THIS DRAWING IS EXCLUSIVELY THE PROPERTY OF HANSEN INTERNATIONAL INC. AND SHALL NOT BE COPIED OR PASSED ON TO A THIRD PARTY WITHOUT OUR PRIOR WRITTEN APPROVAL. WE WILL RETAIN ALL RIGHTS FOR PATENT ISSUE OR REGISTRATION OF DESIGN.  
©2018 Hansen International, Inc.