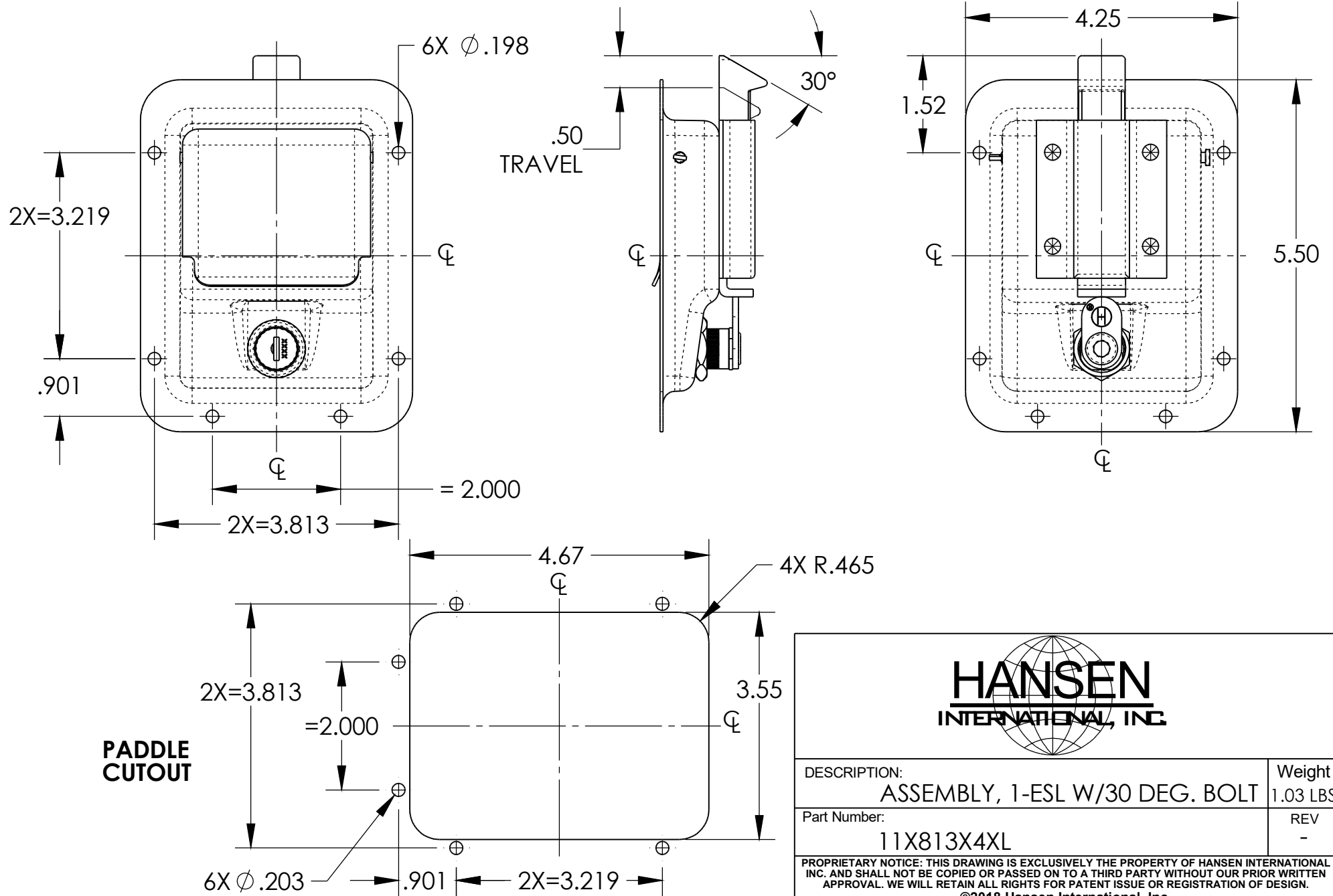


NOTES:

1. MATERIAL AND FINISH: POLISHED STAINLESS STEEL TRAY AND HANDLE. ALL OTHER COMPONENTS ARE STAINLESS STEEL OR ZINC PLATED STEEL.
2. = DENOTES DIMENSIONS THAT ARE SPACED EQUALLY AROUND THE CENTERLINE.
3. DIMENSIONS ARE FOR REFERENCE ONLY.



HANSEN INTERNATIONAL, INC.	
DESCRIPTION: ASSEMBLY, 1-ESL W/30 DEG. BOLT	Weight 1.03 LBS
Part Number: 11X813X4XL	REV -
<small>PROPRIETARY NOTICE: THIS DRAWING IS EXCLUSIVELY THE PROPERTY OF HANSEN INTERNATIONAL INC. AND SHALL NOT BE COPIED OR PASSED ON TO A THIRD PARTY WITHOUT OUR PRIOR WRITTEN APPROVAL. WE WILL RETAIN ALL RIGHTS FOR PATENT ISSUE OR REGISTRATION OF DESIGN.</small>	
<small>©2018 Hansen International, Inc.</small>	