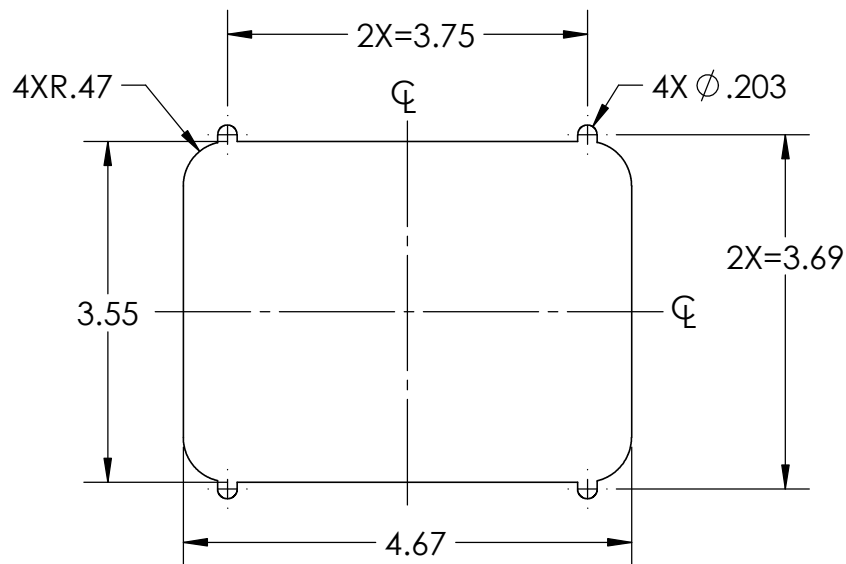
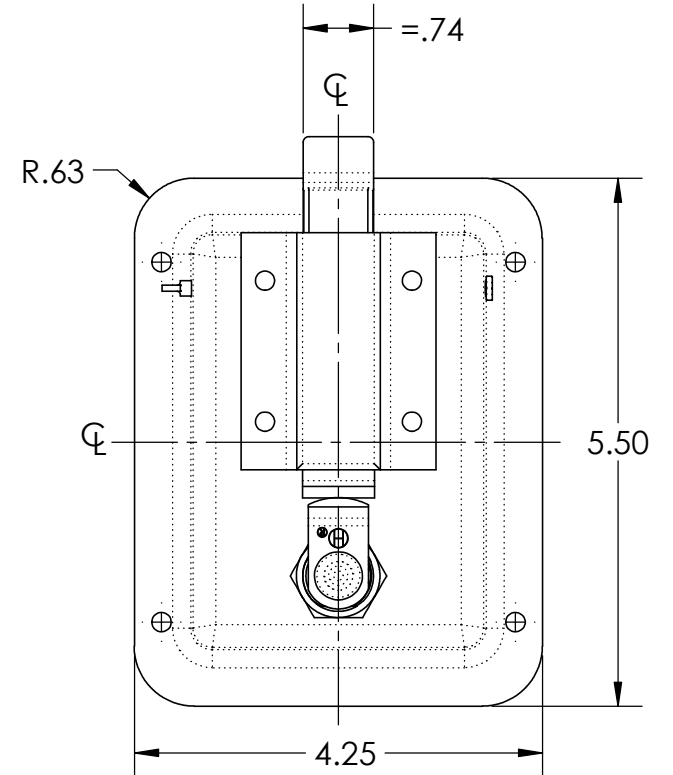
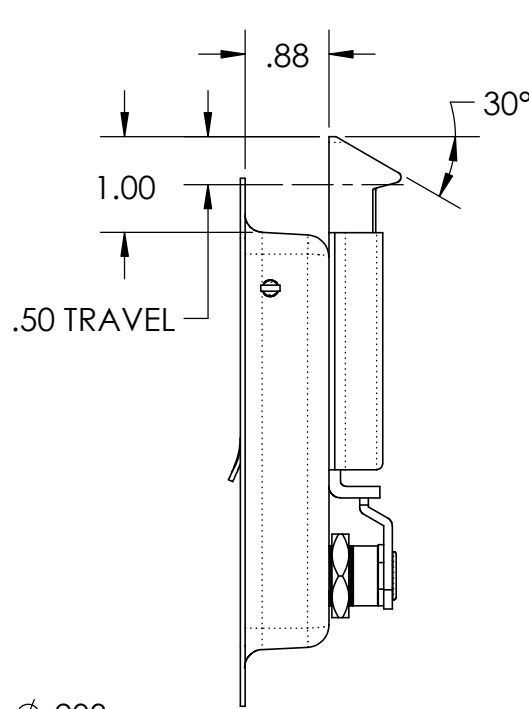
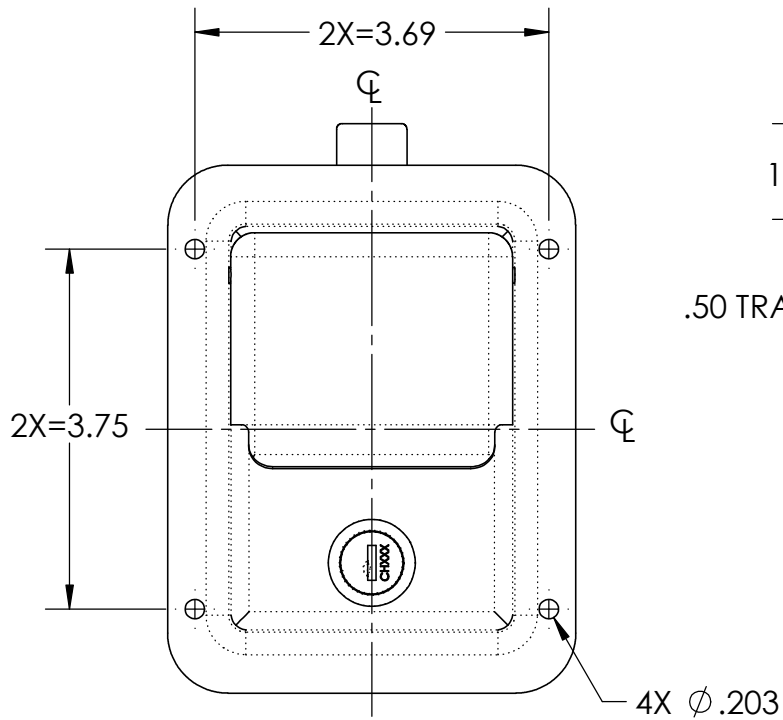
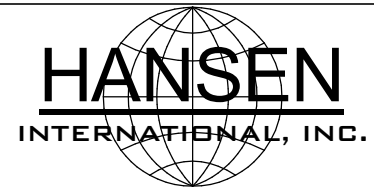


NOTES:

1. MATERIAL AND FINISH: POLISHED STAINLESS STEEL TRAY AND HANDLE. ALL OTHER COMPONENTS ARE ZINC PLATED OR STAINLESS STEEL.
2. = DENOTES DIMENSIONS THAT ARE EQUALLY SPACED ABOUT THE CENTERLINE OF THE FORM.
3. DIMENSIONS ARE FOR REFERENCE ONLY.



PADDLE
CUTOUT



DESCRIPTION:	Weight
ASSEMBLY -1-DSL-SS-30 DEG. BOLT	1.06 LBS
Part Number:	REV
10X813A6XL	-

PROPRIETARY NOTICE: THIS DRAWING IS EXCLUSIVELY THE PROPERTY OF HANSEN INTERNATIONAL INC. AND SHALL NOT BE COPIED OR PASSED ON TO A THIRD PARTY WITHOUT OUR PRIOR WRITTEN APPROVAL. WE WILL RETAIN ALL RIGHTS FOR PATENT ISSUE OR REGISTRATION OF DESIGN.
©2019 Hansen International, Inc.