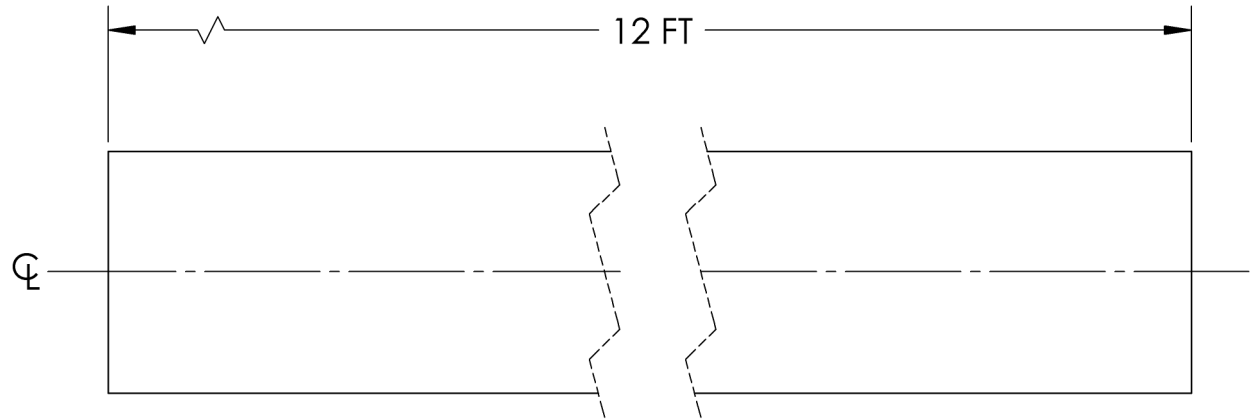
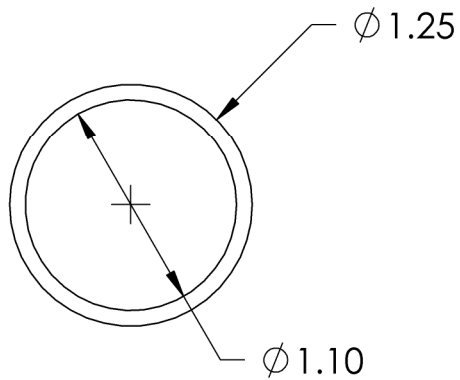




ISOMETRIC VIEW
SCALE: 1:2



NOTES:

1. DIMENSIONS ARE FOR REFERENCE ONLY.
2. MATERIAL: 300 SERIES STAINLESS STEEL.
3. FINISH: AS KNURLED.
4. RAIL SUPPLIED IN 12 FT LENGTHS.



DESCRIPTION: KNURLED ANTI SLIP RAIL-SS		Weight 11.6 LBS
Part Number: GHKN10SSPL-144		REV -
<small>PROPRIETARY NOTICE: THIS DRAWING IS EXCLUSIVELY THE PROPERTY OF HANSEN INTERNATIONAL INC. AND SHALL NOT BE COPIED OR PASSED ON TO A THIRD PARTY WITHOUT OUR PRIOR WRITTEN APPROVAL. WE WILL RETAIN ALL RIGHTS FOR PATENT ISSUE OR REGISTRATION OF DESIGN.</small> ©2018 Hansen International, Inc.		