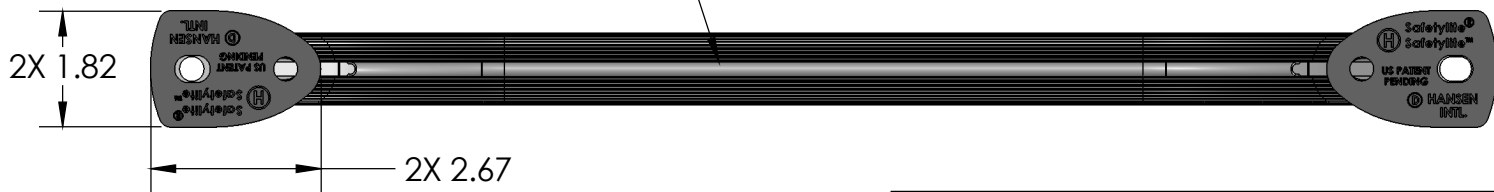
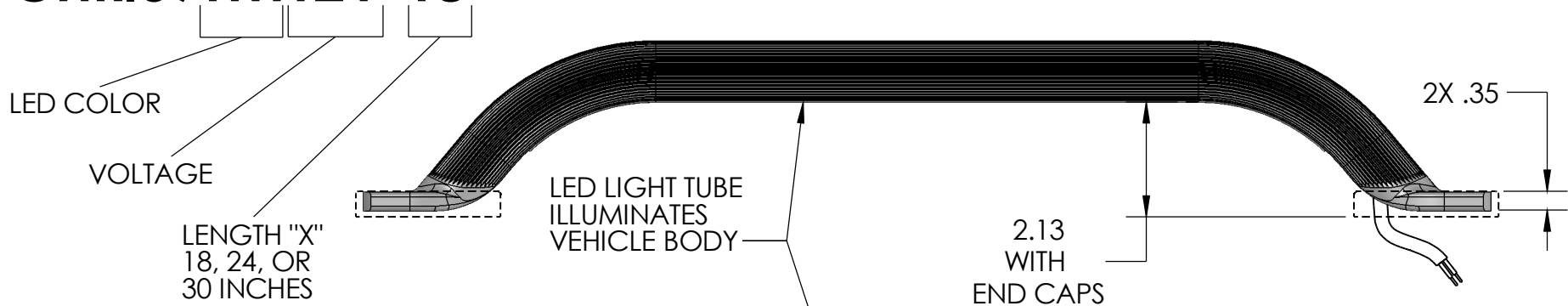


PART NUMBERING EXAMPLE:

GHRI09WH12V-18

NOTE: ENDCAPS HIDDEN IN TOP VIEW FOR CLARITY



NOTES:

1. MATERIAL : BRIGHT DIP ANODIZED ALUMINUM WITH BLACK POLYMER END CAPS AND POLYCARBONATE LIGHT TUBE
2. RECOMMENDED FASTENER : 3/8-16 UNC ALLEN HEAD BOLT, SAE GRADE 5 MINIMUM
3. PART IS SYMMETRICAL ABOUT CENTERLINES SHOWN
4. DIMENSIONS ARE FOR REFERENCE ONLY



DESCRIPTION:	1-1/8" LIT ANTI SLIP GRAB RAIL	Weight	NA
Part Number:	GHRI09ALAN-XX	REV	-

PROPRIETARY NOTICE: THIS DRAWING IS EXCLUSIVELY THE PROPERTY OF HANSEN INTERNATIONAL INC. AND SHALL NOT BE COPIED OR PASSED ON TO A THIRD PARTY WITHOUT OUR PRIOR WRITTEN APPROVAL. WE WILL RETAIN ALL RIGHTS FOR PATENT ISSUE OR REGISTRATION OF DESIGN.
©2018 Hansen International, Inc.