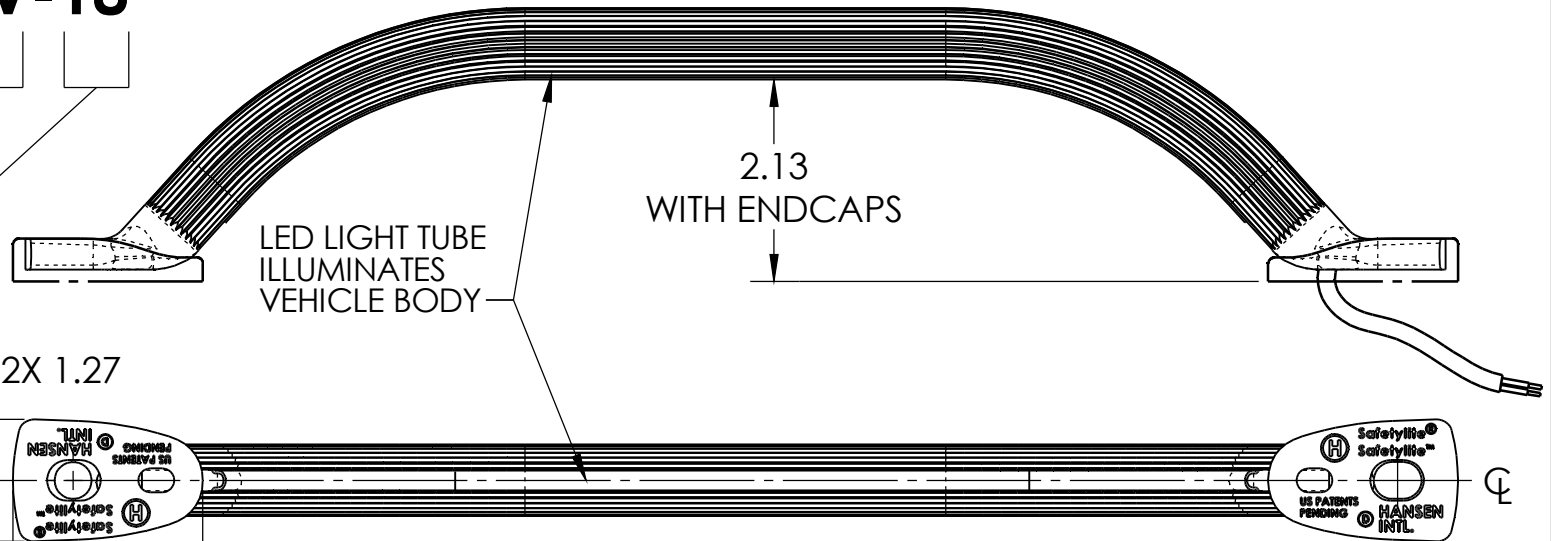
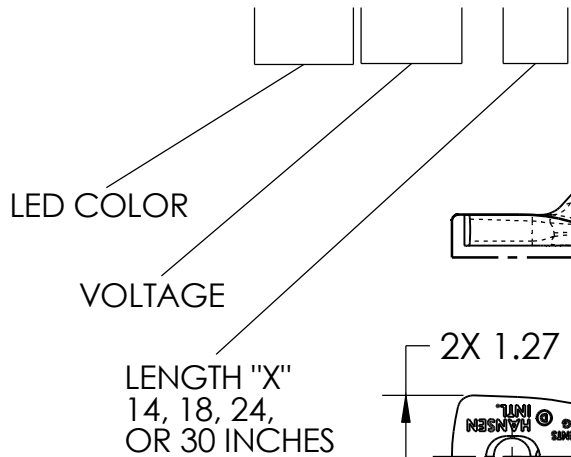


PART NUMBERING EXAMPLE:  
**GHRIO6WH12V-18**



NOTES:

1. MATERIAL : BRIGHT DIP ANODIZED ALUMINUM WITH BLACK POLYMER END CAPS AND POLYCARBONATE LIGHT TUBE
2. RECOMMENDED FASTENER : 3/8-16 UNC ALLEN HEAD BOLT, SAE GRADE 5 MINIMUM
3. PART IS SYMMETRICAL ABOUT CENTERLINES SHOWN
4. DIMENSIONS ARE FOR REFERENCE ONLY

DESCRIPTION:	3/4" LIT ANTI SLIP GRAB RAIL
Part Number:	GHRIO6ALAN-XX
Weight	NA
REV	-
<small>PROPRIETARY NOTICE: THIS DRAWING IS EXCLUSIVELY THE PROPERTY OF HANSEN INTERNATIONAL INC. AND SHALL NOT BE COPIED OR PASSED ON TO A THIRD PARTY WITHOUT OUR PRIOR WRITTEN APPROVAL. WE WILL RETAIN ALL RIGHTS FOR PATENT ISSUE OR REGISTRATION OF DESIGN.          ©2018 Hansen International, Inc.</small>	