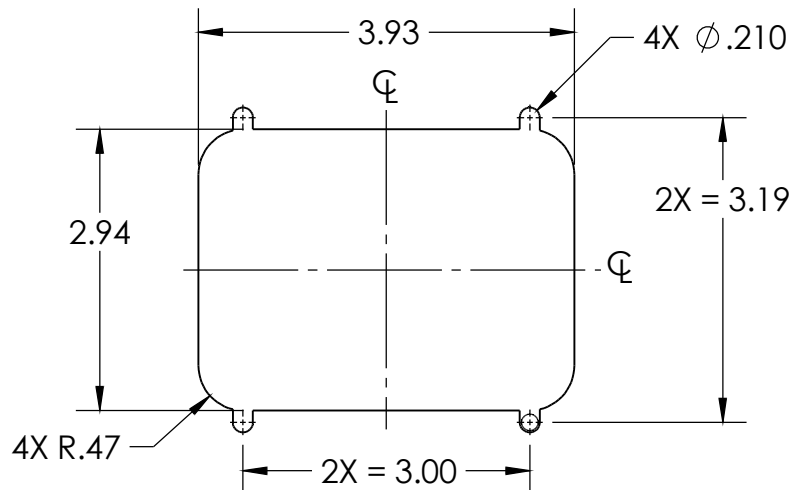
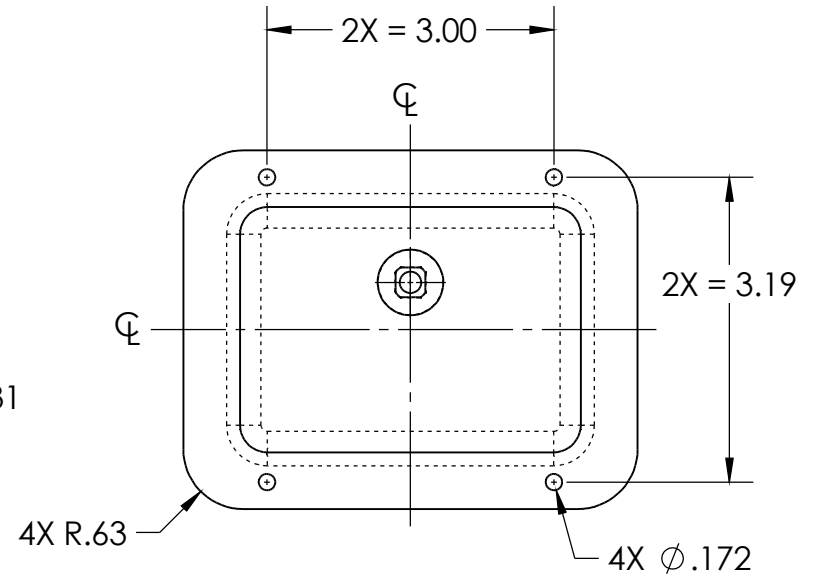
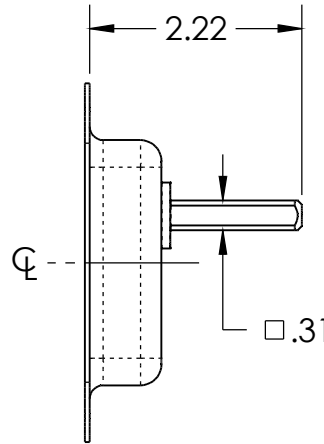
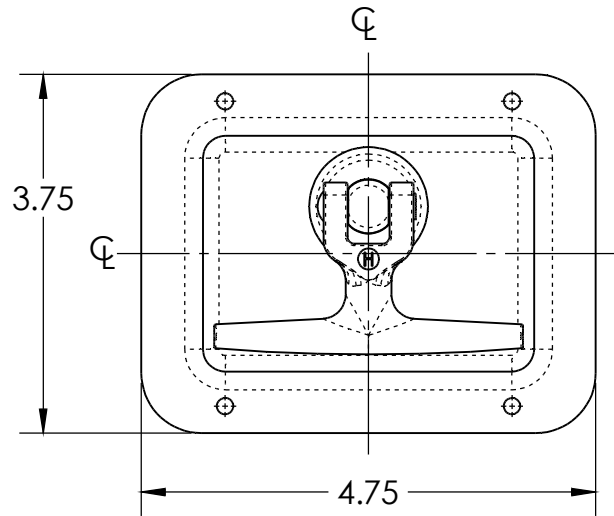


NOTES:

1. MATERIAL AND FINISH: POLISHED STAINLESS STEEL TRAY WITH A CHROME HANDLE. ALL OTHER COMPONENTS ARE ZINC PLATED OR STAINLESS STEEL.
2. = DENOTES DIMENSIONS THAT ARE SPACED EQUALLY ABOUT THE CENTERLINE.
3. DIMENSIONS ARE FOR REFERENCE ONLY.



T-HANDLE CUTOUT



DESCRIPTION: #479-S FOLDING T-HANDLE ASSY W/MTG HOLES	Weight .64 LBS
Part Number: TS479SXXSPBXX	REV -

PROPRIETARY NOTICE: THIS DRAWING IS EXCLUSIVELY THE PROPERTY OF HANSEN INTERNATIONAL INC. AND SHALL NOT BE COPIED OR PASSED ON TO A THIRD PARTY WITHOUT OUR PRIOR WRITTEN APPROVAL. WE WILL RETAIN ALL RIGHTS FOR PATENT ISSUE OR REGISTRATION OF DESIGN.
©2018 Hansen International, Inc.