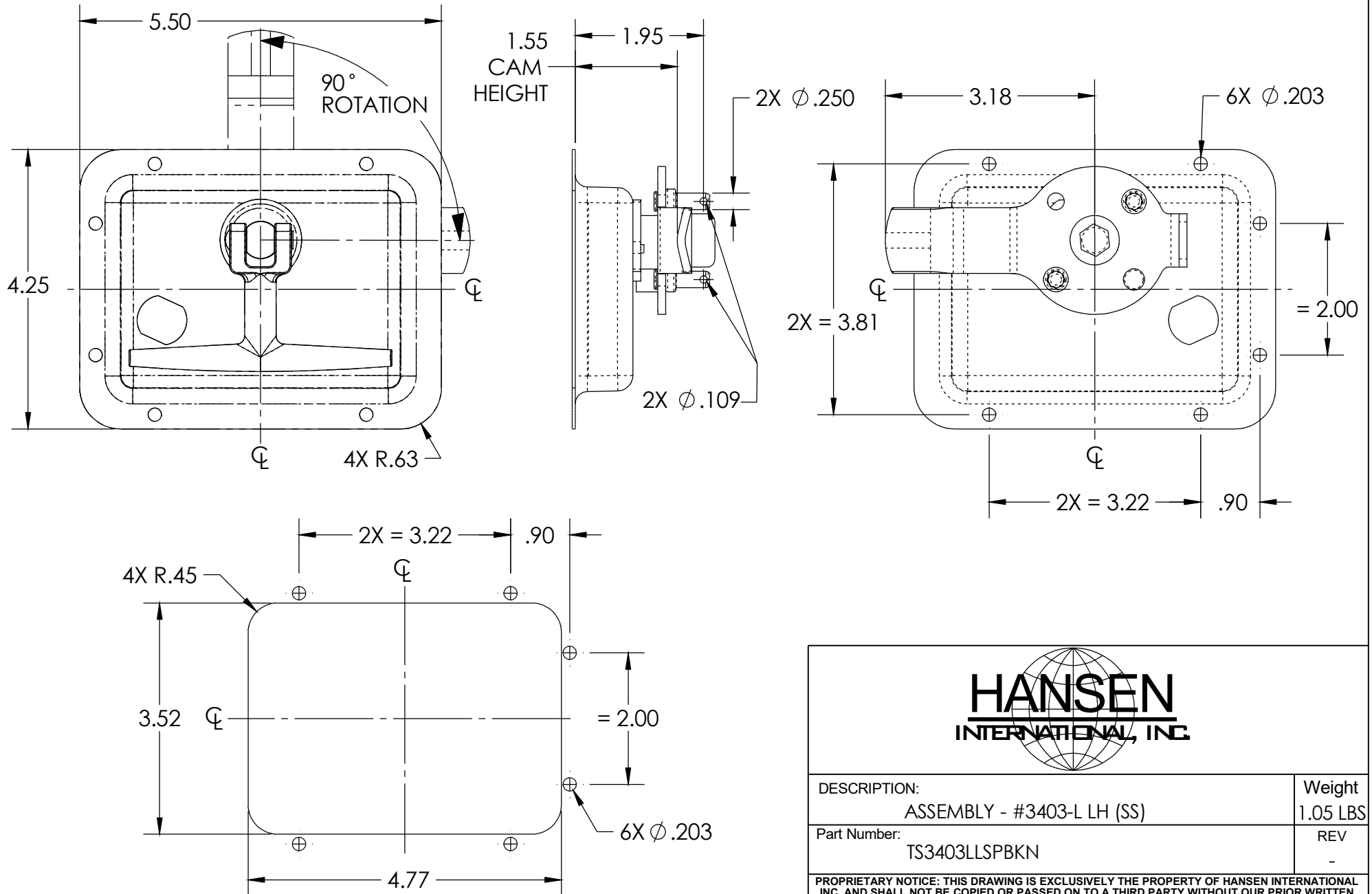


NOTES:

1. MATERIAL AND FINISH: POLISHED STAINLESS STEEL TRAY WITH CHROME HANDLE.
ALL OTHER COMPONENTS ARE ZINC PLATED OR STAINLESS STEEL.
2. = DENOTES DIMENSIONS THAT ARE EQUALLY SPACED ABOUT THE CENTERLINE.
3. DIMENSIONS ARE FOR REFERENCE ONLY.



DESCRIPTION: ASSEMBLY - #3403-L LH (SS)	Weight 1.05 LBS
Part Number: TS3403LLSPBKN	REV -

PROPRIETARY NOTICE: THIS DRAWING IS EXCLUSIVELY THE PROPERTY OF HANSEN INTERNATIONAL INC. AND SHALL NOT BE COPIED OR PASSED ON TO A THIRD PARTY WITHOUT OUR PRIOR WRITTEN APPROVAL. WE WILL RETAIN ALL RIGHTS FOR PATENT ISSUE OR REGISTRATION OF DESIGN.
©2018 Hansen International, Inc.