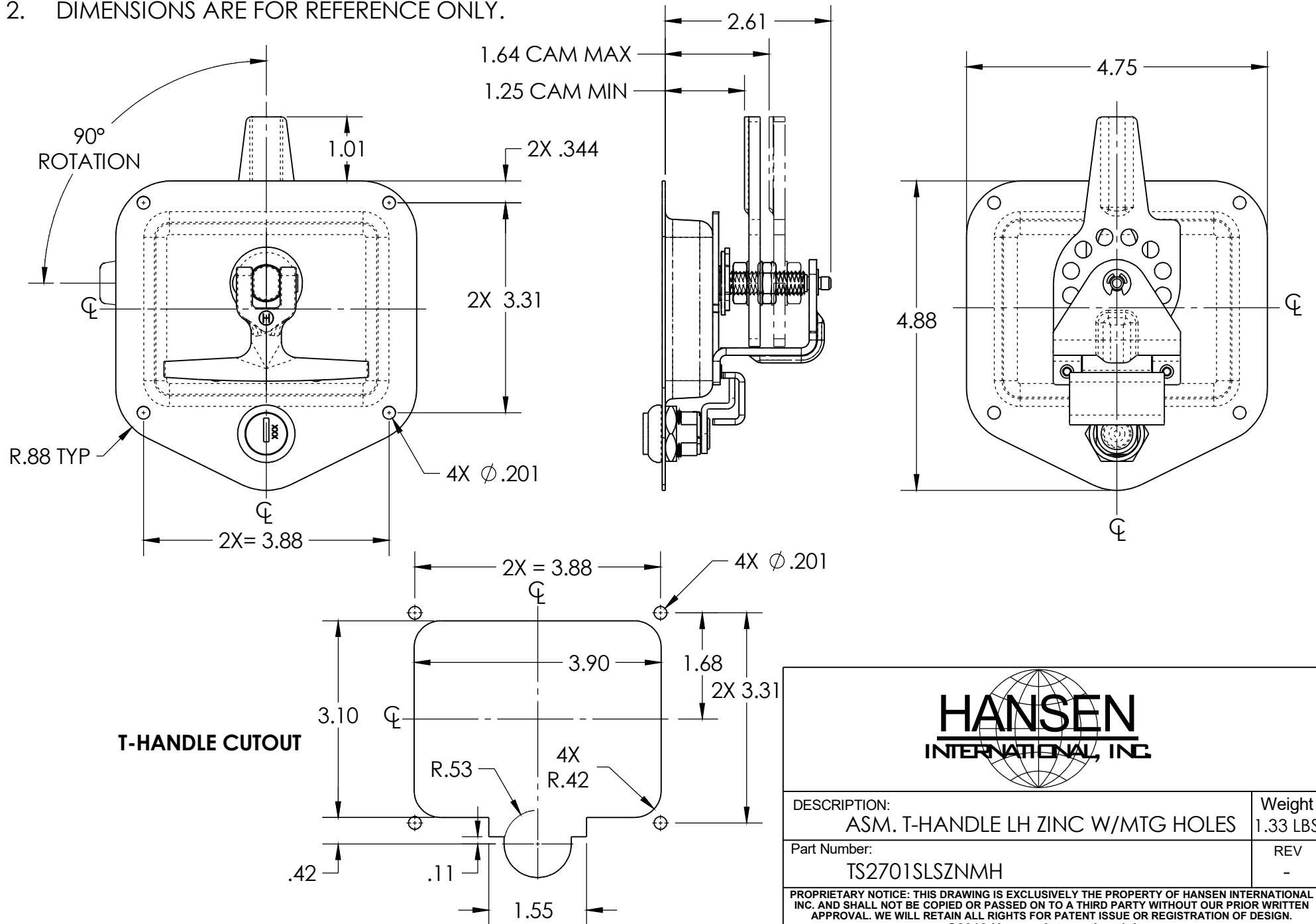


NOTES:

1. MATERIAL AND FINISH: CLEAR ZINC PLATED STEEL TRAY AND HANDLE. ALL OTHER COMPONENTS ARE ZINC PLATED STEEL OR STAINLESS STEEL
2. DIMENSIONS ARE FOR REFERENCE ONLY.



DESCRIPTION: ASM. T-HANDLE LH ZINC W/MTG HOLES	Weight 1.33 LBS
Part Number: TS2701SLSZNMH	REV -

PROPRIETARY NOTICE: THIS DRAWING IS EXCLUSIVELY THE PROPERTY OF HANSEN INTERNATIONAL INC. AND SHALL NOT BE COPIED OR PASSED ON TO A THIRD PARTY WITHOUT OUR PRIOR WRITTEN APPROVAL. WE WILL RETAIN ALL RIGHTS FOR PATENT ISSUE OR REGISTRATION OF DESIGN.
©2018 Hansen International, Inc.