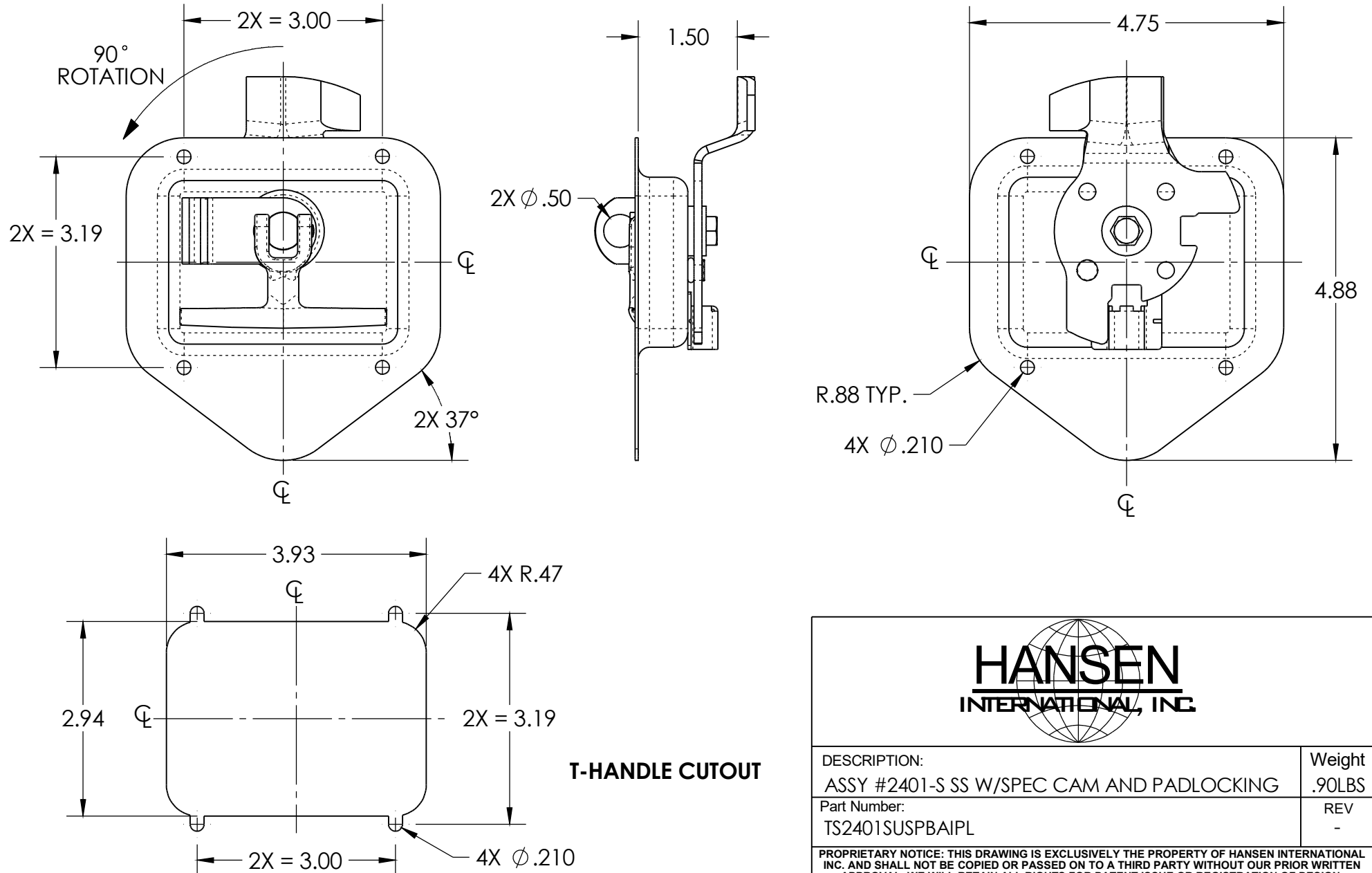


NOTES:

1. MATERIAL AND FINISH: POLISHED STAINLESS STEEL TRAY WITH CHROME HANDLE. ALL OTHER PARTS ARE ZINC PLATED OR STAINLESS STEEL.
2. = DENOTES DIMENSIONS THAT ARE EQUALLY SPACED ABOUT THE CENTERLINE OF THE PART.
3. DIMENSIONS ARE FOR REFERENCE ONLY.



DESCRIPTION: ASSY #2401-S SS W/SPEC CAM AND PADLOCKING	Weight .90LBS
Part Number: TS2401SUSPBAIPL	REV -

PROPRIETARY NOTICE: THIS DRAWING IS EXCLUSIVELY THE PROPERTY OF HANSEN INTERNATIONAL INC. AND SHALL NOT BE COPIED OR PASSED ON TO A THIRD PARTY WITHOUT OUR PRIOR WRITTEN APPROVAL. WE WILL RETAIN ALL RIGHTS FOR PATENT ISSUE OR REGISTRATION OF DESIGN.  
©2018 Hansen International, Inc.