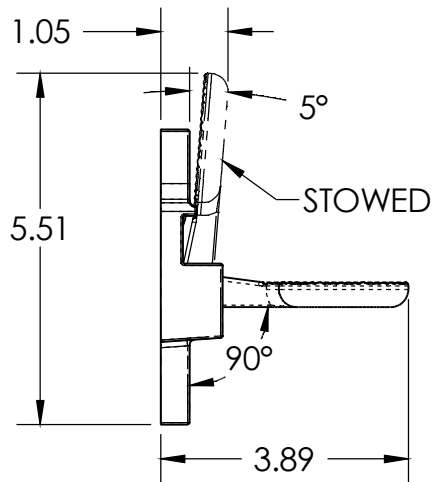
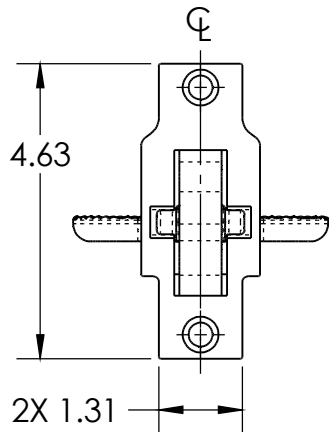
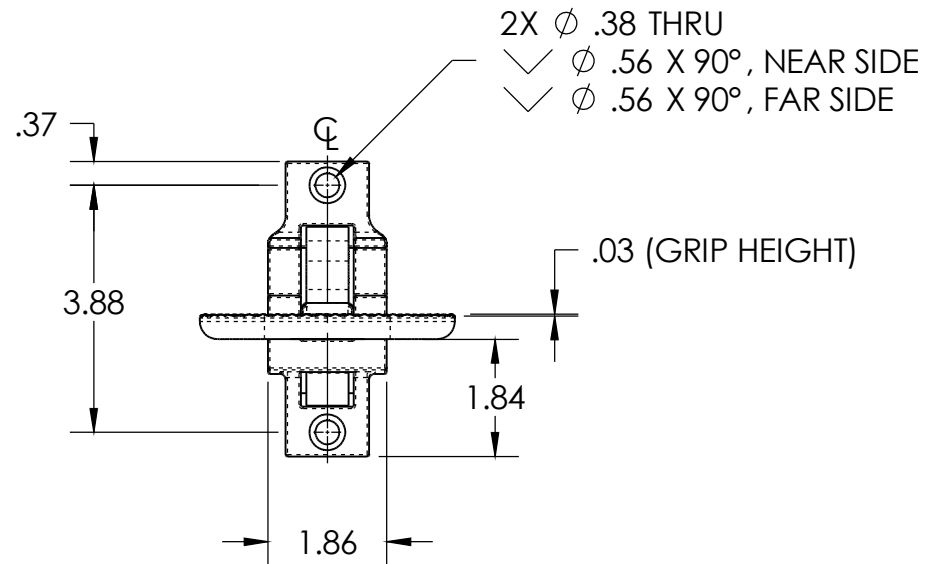


ISOMETRIC VIEW



SHOWN IN DEPLOYED POSITION



NOTES:

1. ASSEMBLY IS SYMMETRICAL ABOUT C .
2. MATERIAL: CAST DUCTILE IRON
3. FINISH: E-COAT MEDIUM GLOSS BLACK.  
STAINLESS STEEL SPRING: MILL FINISH.
4. DIMENSIONS ARE FOR REFERENCE ONLY.



DESCRIPTION:	GRAB HANDLE, FOLDING	Weight	1.32 LBS
Part Number:	91700100	REV	-

PROPRIETARY NOTICE: THIS DRAWING IS EXCLUSIVELY THE PROPERTY OF HANSEN INTERNATIONAL INC. AND SHALL NOT BE COPIED OR PASSED ON TO A THIRD PARTY WITHOUT OUR PRIOR WRITTEN APPROVAL. WE WILL RETAIN ALL RIGHTS FOR PATENT ISSUE OR REGISTRATION OF DESIGN.  
©2019 Hansen International, Inc.