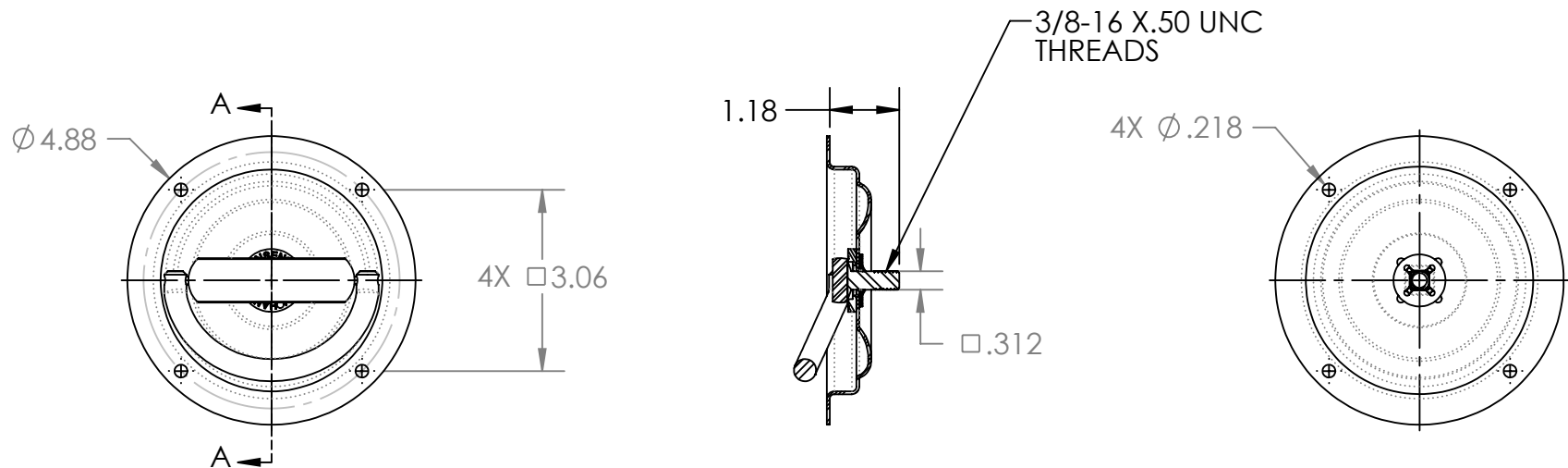
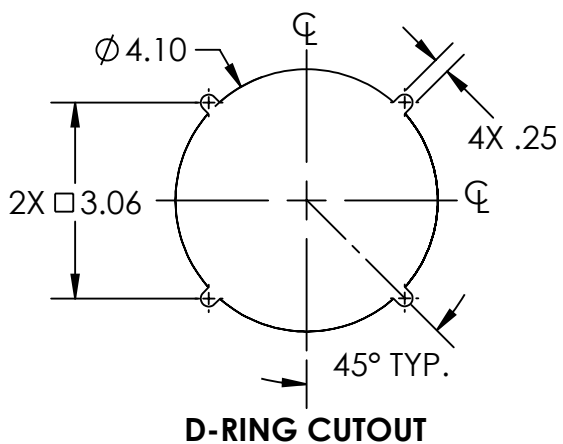


NOTES:

1. FINISH AND MATERIAL : POLISHED STAINLESS STEEL TRAY AND HANDLE. ALL OTHER COMPONENTS ARE STAINLESS STEEL OR ZINC PLATED STEEL.
2. DIMENSIONS ARE FOR REFERENCE ONLY.



SECTION A-A



DESCRIPTION:	ASSY D-RING #79-S	Weight	.53 LBS
Part Number:	S79SXXXSPBXX-VM	REV	1

PROPRIETARY NOTICE: THIS DRAWING IS EXCLUSIVELY THE PROPERTY OF HANSEN INTERNATIONAL INC. AND SHALL NOT BE COPIED OR PASSED ON TO A THIRD PARTY WITHOUT OUR PRIOR WRITTEN APPROVAL. WE WILL RETAIN ALL RIGHTS FOR PATENT ISSUE OR REGISTRATION OF DESIGN.
 ©2020 Hansen International, Inc.