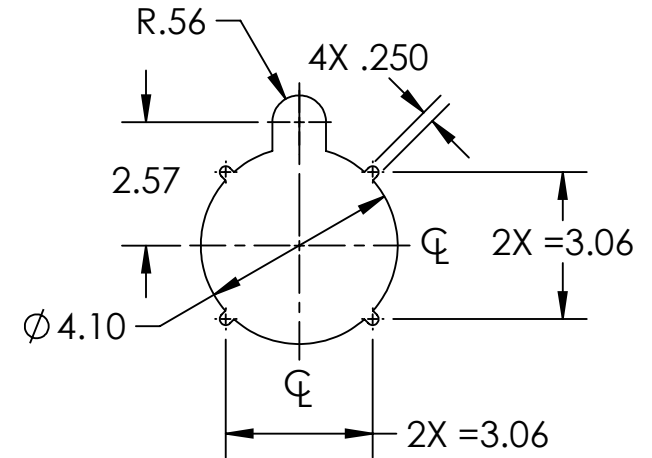
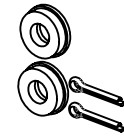
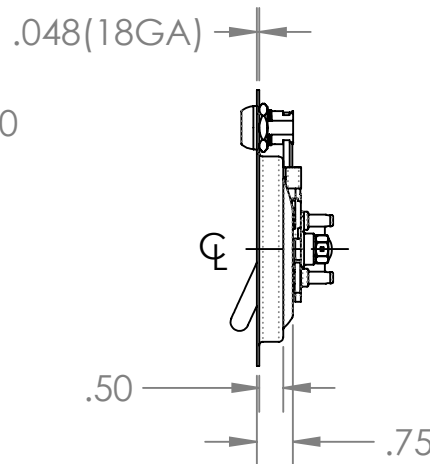
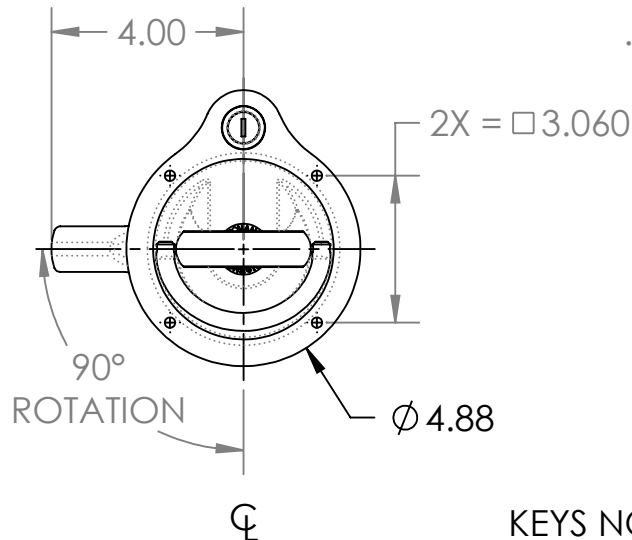


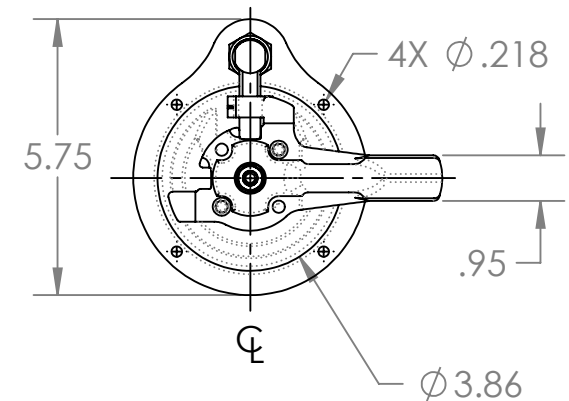
PMISC012 KIT  
2X RUBBER WASHERS W/STEEL  
BACK AND 2X COTTER PINS



**RECOMMENDED  
CUTOUT PATTERN**



KEYS NOT SHOWN THESE VIEWS FOR CLARITY



**NOTES:**

1. ALL ANGLES/BENDS ARE 90° UNLESS NOTED.
2. DIMENSIONS ARE FOR REFERENCE ONLY.
3. = REFERS TO DIMENSIONS EQUALLY SPACED ABOUT CENTERLINE.
4. MATERIAL: STAINLESS STEEL
5. FINISH: TRAY AND HANDLE ARE POLISHED AND BUFFED.
6. KEY CYLINDER INCLUDES 2 KEYS, & CODE TO BE SPECIFIED BY THE CUSTOMER.
7. PMISC012 TO BE SHIPPED LOOSE IN PLASTIC BAG.



DESCRIPTION:	2103-S D-RING SS RH	Weight 1.1 LBS
Part Number:	S2103SRSPBXX	REV -

PROPRIETARY NOTICE: THIS DRAWING IS EXCLUSIVELY THE PROPERTY OF HANSEN INTERNATIONAL INC. AND SHALL NOT BE COPIED OR PASSED ON TO A THIRD PARTY WITHOUT OUR PRIOR WRITTEN APPROVAL. WE WILL RETAIN ALL RIGHTS FOR PATENT ISSUE OR REGISTRATION OF DESIGN.  
©2020 Hansen International, Inc.