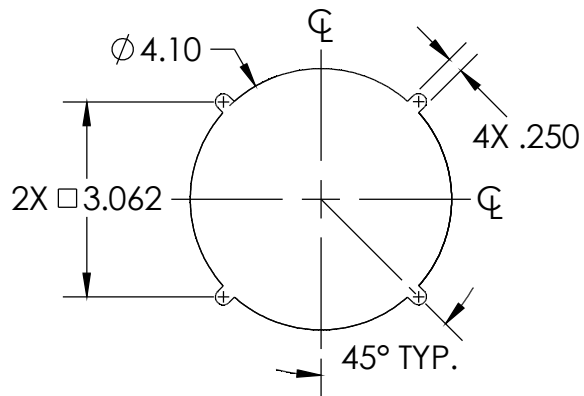
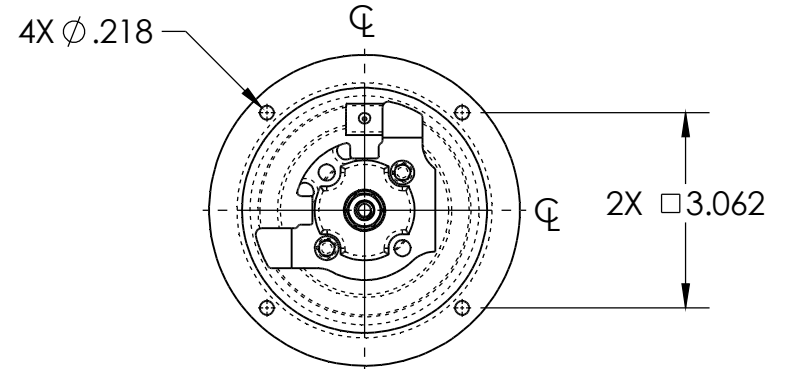
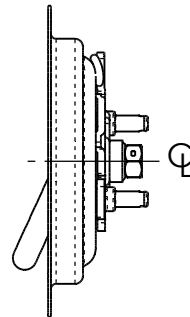
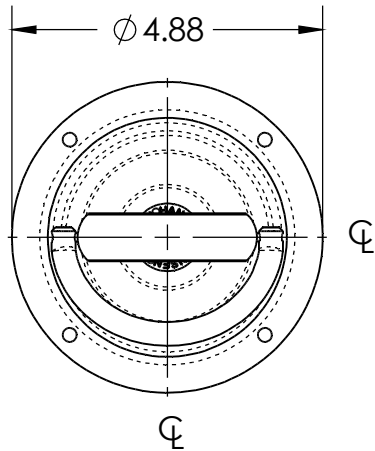
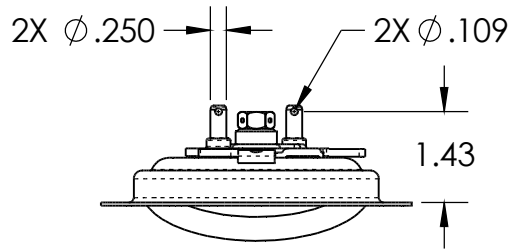


NOTES:

1. MATERIAL AND FINISH: POLISHED STAINLESS STEEL TRAY AND HANDLE. ALL OTHER COMPONENTS ARE STAINLESS STEEL OR ZINC PLATED STEEL.
2. DIMENSIONS ARE FOR REFERENCE ONLY.



D-RING CUTOUT



HANSEN INTERNATIONAL, INC.	
DESCRIPTION: #102 ASSEMBLY	Weight .78 LBS
Part Number: S102SXXSPBXX	REV -

PROPRIETARY NOTICE: THIS DRAWING IS EXCLUSIVELY THE PROPERTY OF HANSEN INTERNATIONAL INC. AND SHALL NOT BE COPIED OR PASSED ON TO A THIRD PARTY WITHOUT OUR PRIOR WRITTEN APPROVAL. WE WILL RETAIN ALL RIGHTS FOR PATENT ISSUE OR REGISTRATION OF DESIGN.
©2018 Hansen International, Inc.