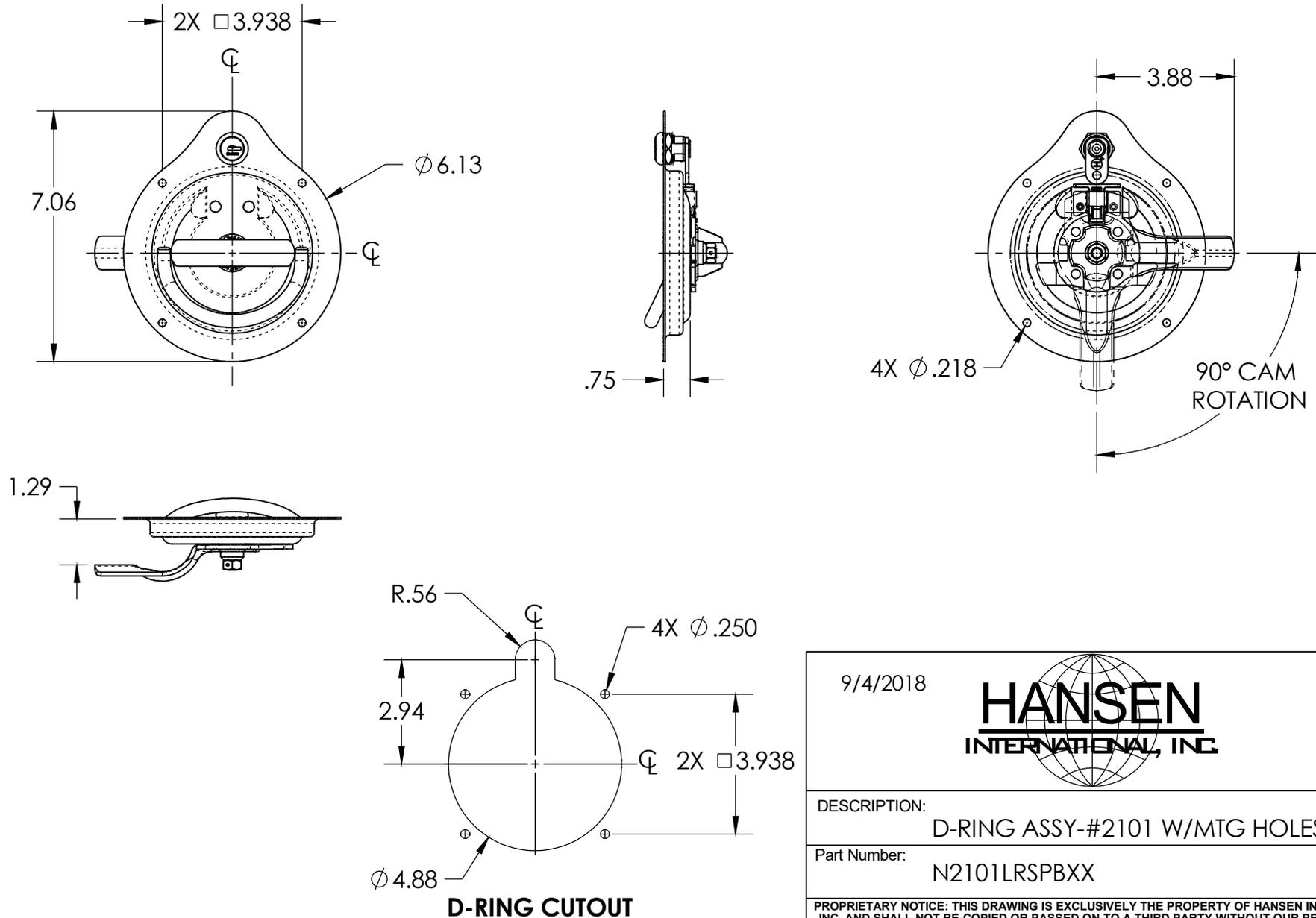


NOTES:

1. MATERIAL & FINISH: POLISHED STAINLESS STEEL TRAY AND HANDLE. ALL OTHER COMPONENTS ARE STAINLESS STEEL OR ZINC PLATED STEEL.
2. DIMENSIONS ARE FOR REFERENCE ONLY.



|  |  |   |                    |
|--|--|---|--------------------|
| 9/4/2018   |  |  |                    |
| DESCRIPTION:   |  | D-RING ASSY-#2101 W/MTG HOLES   | Weight<br>1.24 LBS |
| Part Number:   |  | N2101LRSPBXX  | REV<br>-           |
| <small>PROPRIETARY NOTICE: THIS DRAWING IS EXCLUSIVELY THE PROPERTY OF HANSEN INTERNATIONAL INC. AND SHALL NOT BE COPIED OR PASSED ON TO A THIRD PARTY WITHOUT OUR PRIOR WRITTEN APPROVAL. WE WILL RETAIN ALL RIGHTS FOR PATENT ISSUE OR REGISTRATION OF DESIGN.</small> |  |   |                    |
| <small>©2018 Hansen International, Inc.</small>  |  |   |                    |