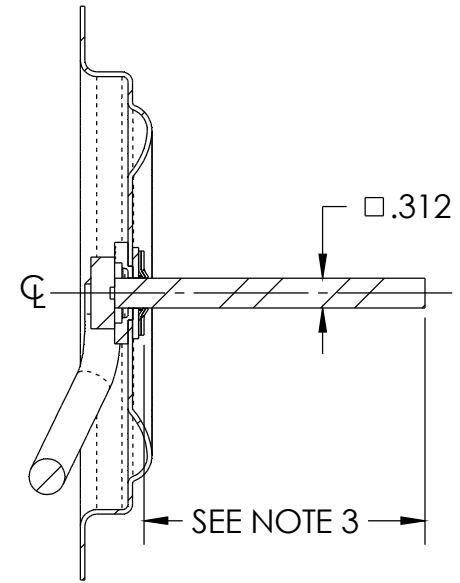
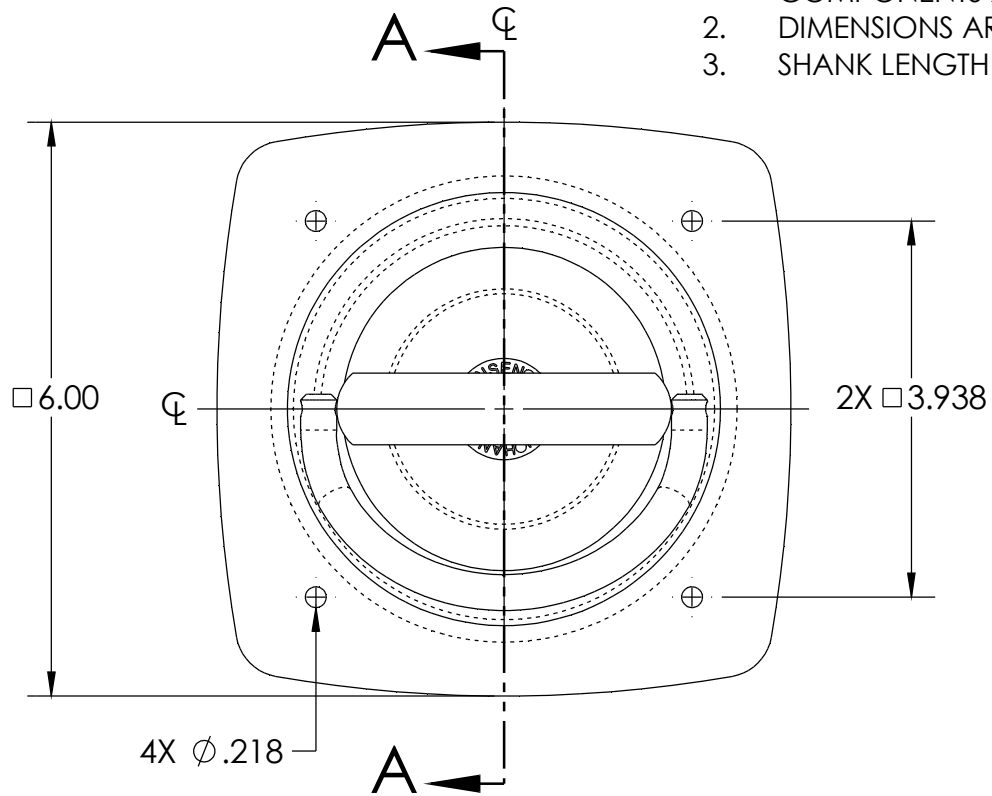
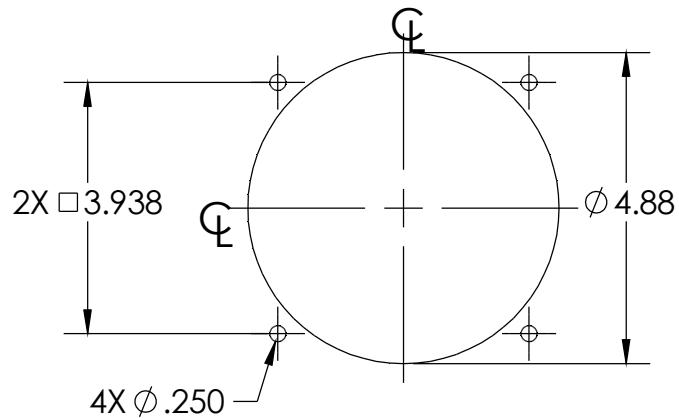


NOTES:

1. MATERIAL AND FINISH: POLISHED STAINLESS STEEL TRAY AND HANDLE. ALL OTHER COMPONENTS ARE STAINLESS STEEL OR ZINC PLATED STEEL.
2. DIMENSIONS ARE FOR REFERENCE ONLY.
3. SHANK LENGTH MAX LENGTH - 4.63". (CAN BE CUT TO CUSTOM LENGTH)



SECTION A-A



**D-RING CUTOUT
SCALE 1:3**



DESCRIPTION:	ASSEMBLY #79-L SS SQ. W/CUT SHANK	Weight .86 LBS
Part Number:	F79LSQXSPBCS	REV -

PROPRIETARY NOTICE: THIS DRAWING IS EXCLUSIVELY THE PROPERTY OF HANSEN INTERNATIONAL INC. AND SHALL NOT BE COPIED OR PASSED ON TO A THIRD PARTY WITHOUT OUR PRIOR WRITTEN APPROVAL. WE WILL RETAIN ALL RIGHTS FOR PATENT ISSUE OR REGISTRATION OF DESIGN.
©2018 Hansen International, Inc.