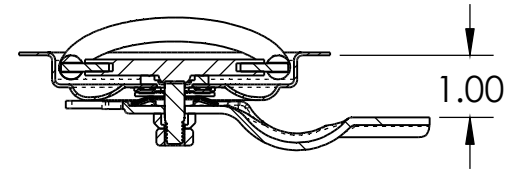
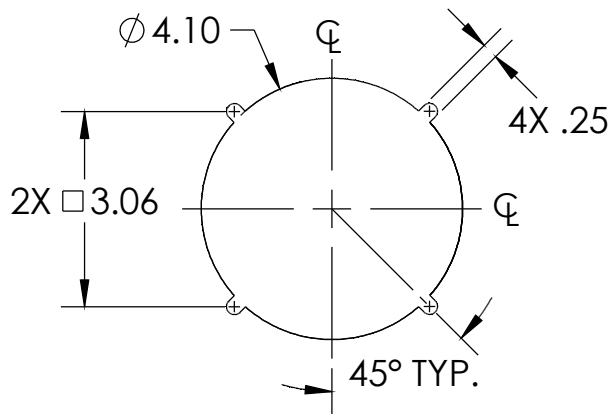
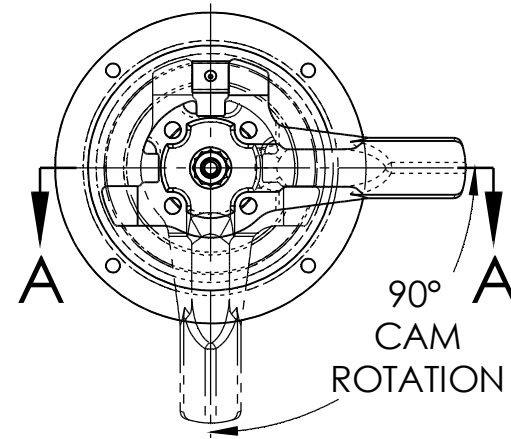
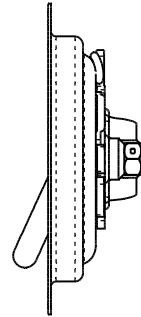
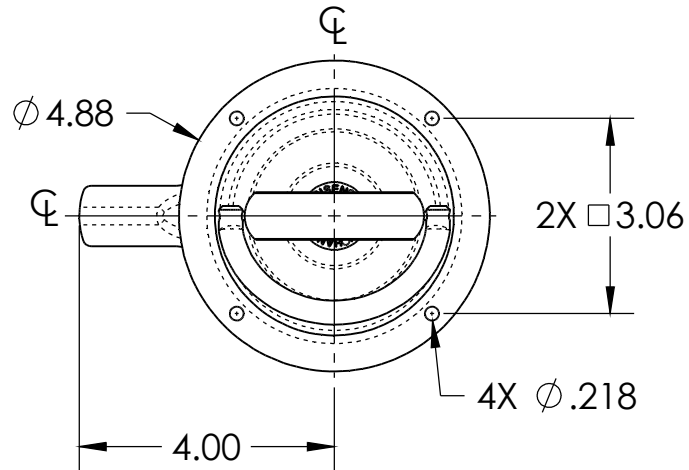


NOTES:

1. MATERIAL AND FINISH: POLISHED STAINLESS STEEL CUP AND HANDLE. ALL OTHER COMPONENTS ARE EITHER STAINLESS STEEL OR ZINC PLATED STEEL.
2. DIMENSIONS ARE FOR REFERENCE ONLY.



SECTION A-A



D-RING CUTOUT



DESCRIPTION:	ASSY. 101-S D-RING SS RH W/MTG HOLES	Weight .87 LBS
Part Number:	F101SXRSPBXX	REV -

PROPRIETARY NOTICE: THIS DRAWING IS EXCLUSIVELY THE PROPERTY OF HANSEN INTERNATIONAL INC. AND SHALL NOT BE COPIED OR PASSED ON TO A THIRD PARTY WITHOUT OUR PRIOR WRITTEN APPROVAL. WE WILL RETAIN ALL RIGHTS FOR PATENT ISSUE OR REGISTRATION OF DESIGN.
©2018 Hansen International, Inc.