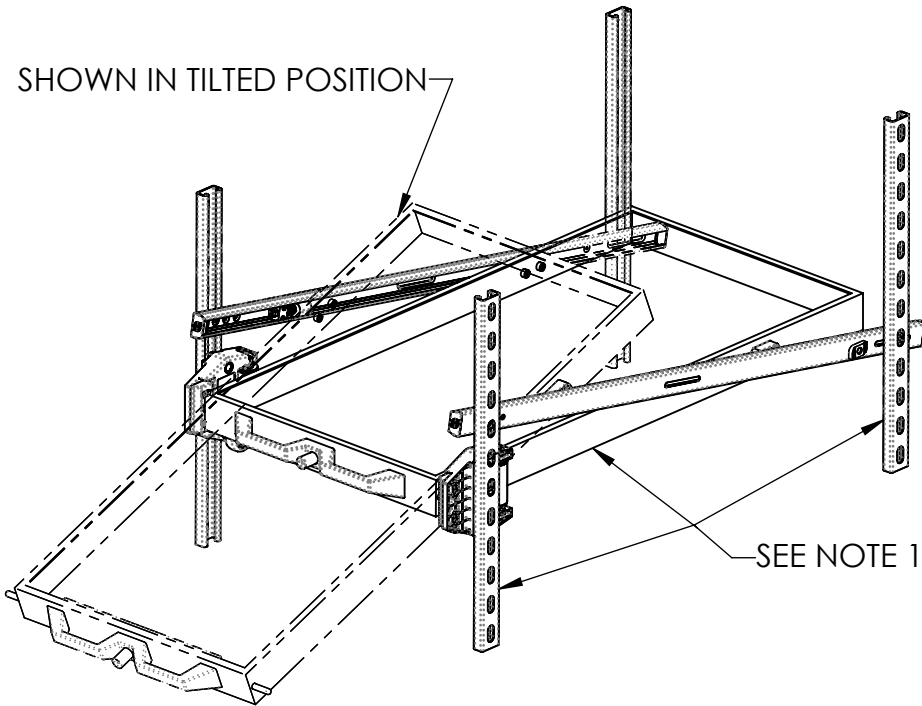
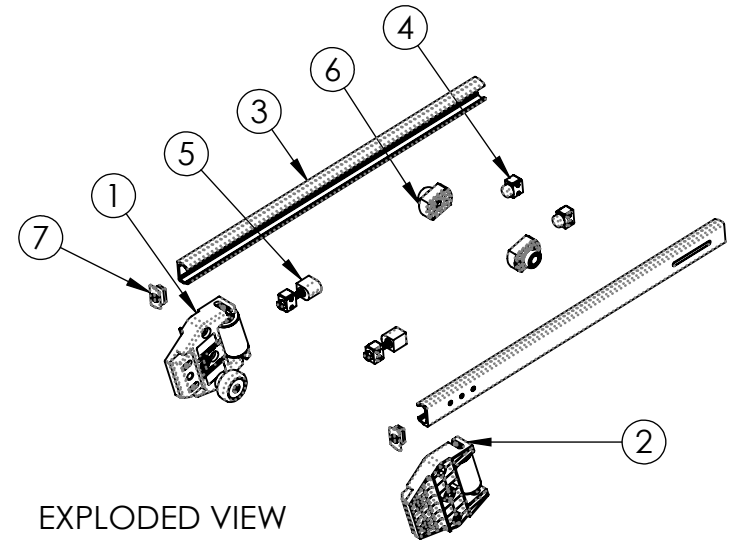


PART NUMBER	DESCRIPTION	RAIL LENGTH
WT61-17230-650	KIT, SLIDE AND TILT, METRIC SERIES	650mm
WT61-17230-1100	KIT, SLIDE AND TILT, METRIC SERIES	1100mm

ITEM.	DESCRIPTION	QTY.
1	ROLLER ASSEMBLY LEFT	1
2	ROLLER ASSEMBLY RIGHT	1
3	RAILS	2
4	REAR HARD STOP	2
5	FRONT SPRING STOP	2
6	DRAWER ROLLER MOUNT	2
7	RAIL END CAP	2



TYPICAL MOUNTING EXAMPLE



EXPLODED VIEW

NOTES:

1. DRAWER AND MOUNTING EQUIPMENT SHOWN AS EXAMPLE. NOT INCLUDED IN SLIDE AND TILT KIT.
2. MATERIAL:
 1. RAILS: ANODIZED ALUMINUM
 2. MAJOR COMPONENTS: GLASS FILLED NYLON.
3. ALL ANGLES/BENDS ARE 90° UNLESS NOTED.
4. DIMENSIONS IN () ARE FOR REFERENCE ONLY.



DESCRIPTION: KIT, SLIDE AND TILT - METRIC SERIES	Weight 4 LBS
Part Number: WT61-17230-XXXX	REV -

PROPRIETARY NOTICE: THIS DRAWING IS EXCLUSIVELY THE PROPERTY OF HANSEN INTERNATIONAL INC. AND SHALL NOT BE COPIED OR PASSED ON TO A THIRD PARTY WITHOUT OUR PRIOR WRITTEN APPROVAL. WE WILL RETAIN ALL RIGHTS FOR PATENT ISSUE OR REGISTRATION OF DESIGN.
©2020 Hansen International, Inc.