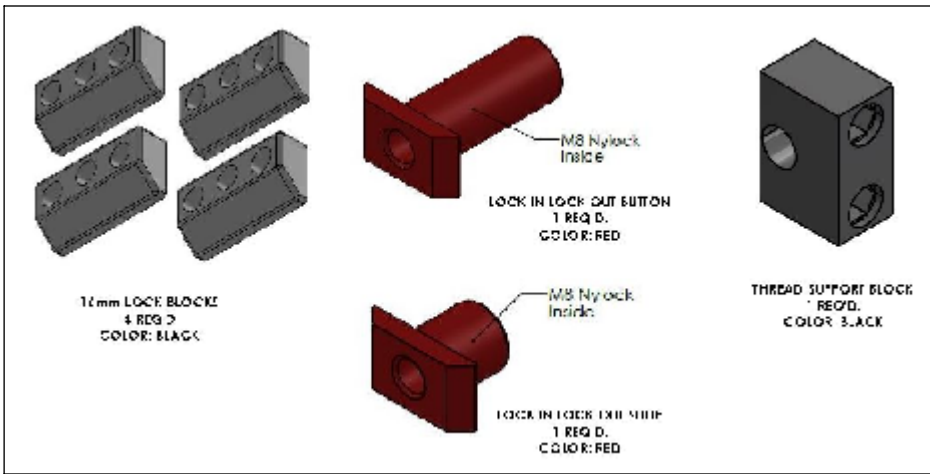
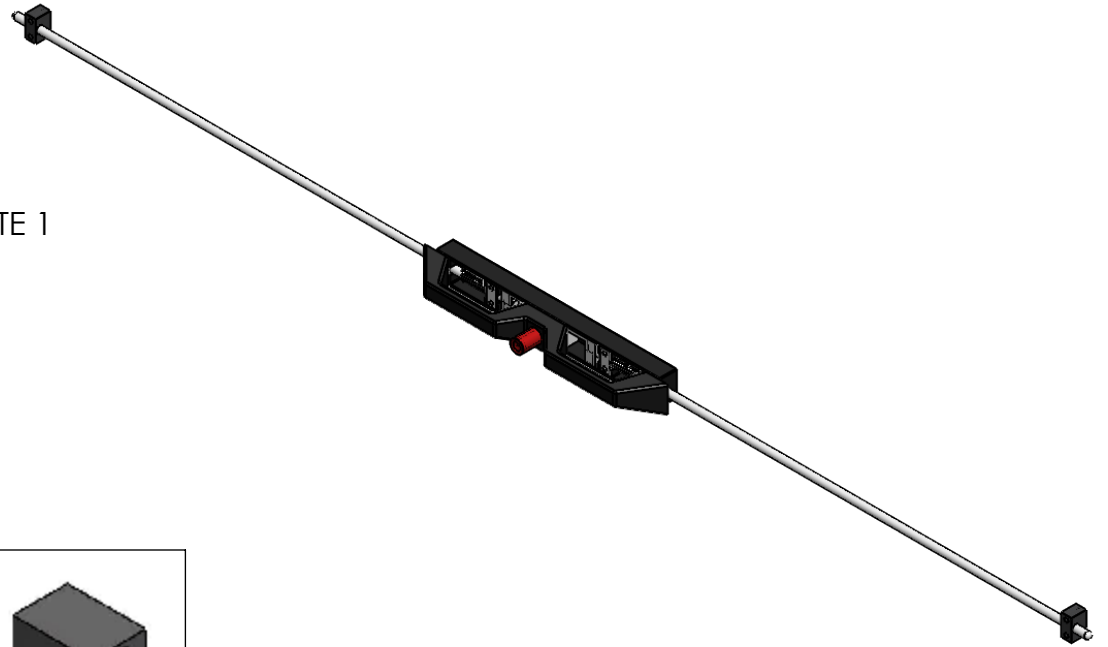


LOCKIN/LOCKOUT
HANDLE
INSTRUCTIONS

SEE NOTE 1



SUPPLIED LOOSE IN POLYBAG

NOTES:

- FOR LOCKIN/LOCKOUT HANDLE INSTRUCTIONS REFERENCE DOCUMENT INST00015.



DESCRIPTION:	LOCK IN LOCK OUT HANDLE KIT	Weight 2 LBS
Part Number:	WH61-17221-63KT	REV -

PROPRIETARY NOTICE: THIS DRAWING IS EXCLUSIVELY THE PROPERTY OF HANSEN INTERNATIONAL INC. AND SHALL NOT BE COPIED OR PASSED ON TO A THIRD PARTY WITHOUT OUR PRIOR WRITTEN APPROVAL. WE WILL RETAIN ALL RIGHTS FOR PATENT ISSUE OR REGISTRATION OF DESIGN.
©2020 Hansen International, Inc.