

**DETAIL A  
ADJUSTABLE LIGHT  
POSITIONS**

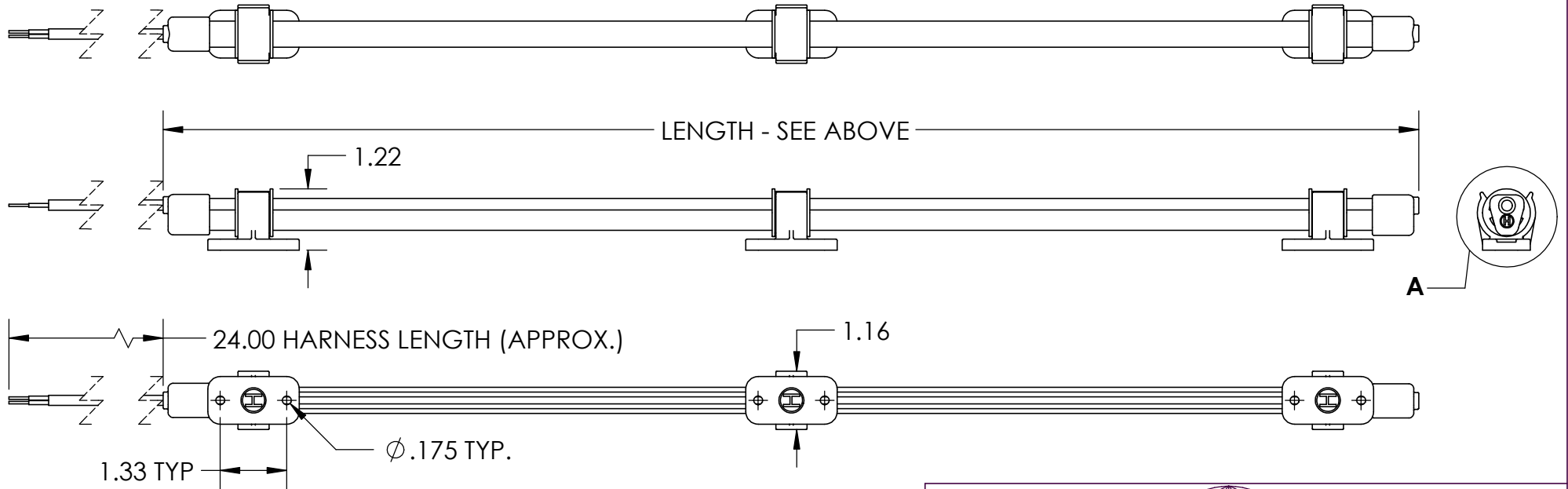
PART NUMBERING EXAMPLE

# LED10WH12V-25

LED COLORS:  
 WH = WHITE  
 BL = BLUE  
 RE = RED  
 RGB = RED/GREEN/BLUE

VOLTAGE:  
 12 OR 24V

LENGTHS (IN):  
 6, 9, 12, 18, 21, 24,  
 27, 36, 39, 42, 48, 57



**NOTES:**

1. MATERIALS : POLYCARBONATE LIGHT TUBE WITH PP MOLDED BRACKETS AND ENDCAPS, VINYL WIRE SHEATHING
2. FINISHES : AS MOLDED
3. DIMENSIONS ARE FOR REFERENCE ONLY



<b>HANSEN</b> INTERNATIONAL, INC.	
DESCRIPTION: 10MM COMPARTMENT LIGHTING	Weight NA
Part Number: LED10XXXXV-XX	REV -
<small>PROPRIETARY NOTICE: THIS DRAWING IS EXCLUSIVELY THE PROPERTY OF HANSEN INTERNATIONAL INC. AND SHALL NOT BE COPIED OR PASSED ON TO A THIRD PARTY WITHOUT OUR PRIOR WRITTEN APPROVAL. WE WILL RETAIN ALL RIGHTS FOR PATENT ISSUE OR REGISTRATION OF DESIGN.</small> ©2018 Hansen International, Inc.	